

DIECI



MINI AGRI SMART

20.4



dieci.com

PERFORMANCE

Vehicle model	MINI AGRI 20.4 SMART
Maximum capacity	2000 kg (4409 lb)
Maximum lifting height	4,35 m (14,3 ft)
Maximum horizontal extension	1,53 m (5 ft)
Fork swiveling angle	133°
Pull-out force	3365 daN (7565 lbf)
Towing force	3177 daN (7142 lbf)
Maximum climb angle	56%
Unladen weight	4300 kg (9480 lb)
Max speed (referred to wheels with maximum permitted diameter)	25 km/h (15,5 mph)

BOOM

Vehicle model	MINI AGRI 20.4 SMART
Lifting	7,0 s
Descent	5 s
Extension	6 s
Retraction	4 s
Forward swiveling	4 s
Reverse swiveling	3 s

ENGINE

Vehicle model	MINI AGRI 20.4 SMART
Brand	Kubota
Nominal power	37 kW (50 HP)
@rpm	2700 rpm
Operation	4-stroke
Injection	Electronic, Common Rail
Number and arrangement of cylinders	3, Vertical in line
Displacement	1826 cm ³ (111 in ³)
Consumption	242 g/kWh (398,09 lb/Hp h)
@rpm	2700 rpm
Emission standard	Stage V
Exhaust gas treatment	Catalyst + Particulate filter (DOC+DPF)
Cooling system	Liquid
Intake	Turbo compressor

DIFFERENTIAL AXLES

Vehicle model	MINI AGRI 20.4 SMART
Type of axles	2 steering, with 4 epicycloidal reduction gears
Type of steering	4 wheels / transversal / 2 wheels
Front axle	Rigid
Rear axle	Swinging
Service braking	Dry disk on rear axle
Parking braking	Manually activated on brake caliper through cable

HYDRAULIC SYSTEM

Vehicle model	MINI AGRI 20.4 SMART
Hydraulic pump type	Gear pump for power steering and movements
Hydraulic pump capacity	93,6 L/min (24,7 gal/min)
Max. operating pressure	25,0 MPa (3626 psi)
Distributor control	Proportional 4in1 Joystick

REFUELING

Vehicle model	MINI AGRI 20.4 SMART
Hydraulic system (total)	70,0 L (18,49 gal)
Fuel tank	60,0 L (15,85 gal)

TRANSMISSION

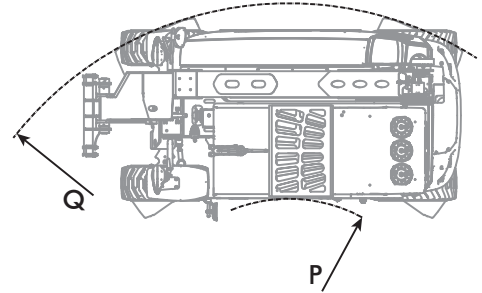
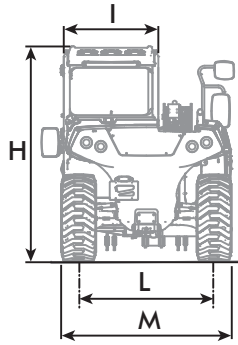
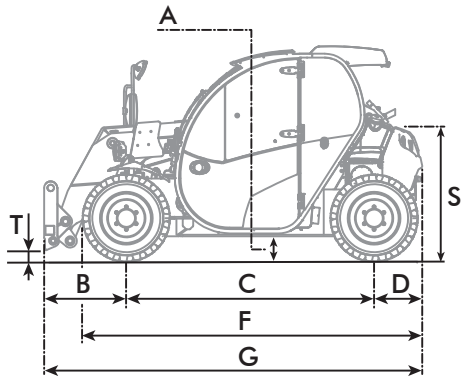
Vehicle model	MINI AGRI 20.4 SMART
Transmission type	Single speed Hydrostatic transmission with variable displacement pump
Hydraulic motor	Hydrostatic with continuous automatic adjustment
Reversal	Electro-Hydraulic
Inching	With hydraulic pedal for controlled forward movement

TIRES

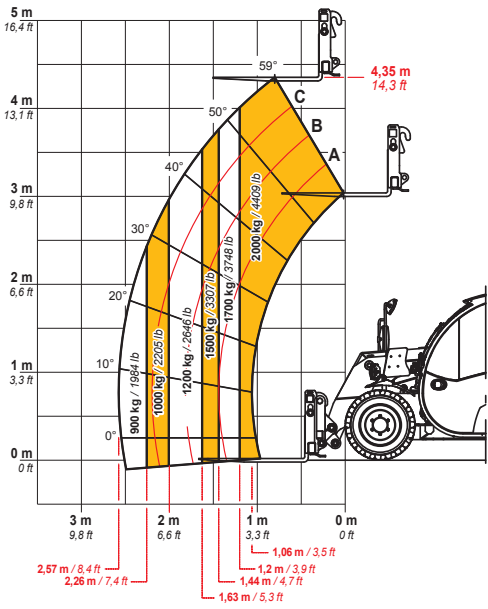
Vehicle model	MINI AGRI 20.4 SMART
Standard tires	12x16.5"

DIMENSIONS

Vehicle model	MINI AGRI 20.4 SMART
A	199 mm (7,8 in)
B	827 mm (32,6 in)
C	2250 mm (88,6 in)
D	458 mm (18 in)
F	3405 mm (134,1 in)
G	3534 mm (139,1 in)
H	1929 mm (75,9 in)
I	860 mm (33,9 in)
L	1230 mm (48,4 in)
M	1550 mm (61 in)
P	1340 mm (52,8 in)
Q	3075 mm (121,1 in)
S	1469 mm (57,8 in)
T	200 mm (7,9 in)



MAX
2000 kg / 4409 lb



DOC1000115



EN1459

20.4



Dieci Srl - Via E. Majorana, 2-4 - 42027 - Montecchio Emilia (RE) ITALY

Tel. +39 0522 869611 - Fax +39 0522 869798 - E-mail: info@dieci.com - www.dieci.com

DOCCT0000079-EN-02