

DIECI



ZEUS

37.7 | 37.8 | 38.10 | 33.11



dieci.com

PERFORMANCE

Vehicle model	ZEUS 37.7	ZEUS 37.8	ZEUS 38.10	Zeus 33.11
Maximum capacity	3700 kg (8157 lb)	3700 kg (8157 lb)	3800 kg (8378 lb)	3300 kg (7275 lb)
Maximum lifting height	7.35 m (24.1 ft)	7.8 m (25.6 ft)	9.75 m (32.0 ft)	10.6 m (34.8 ft)
Maximum horizontal extension	4 m (13.1 ft)	4.45 m (14.6 ft)	6.45 m (21.2 ft)	7.35 m (24.1 ft)
Fork swiveling angle	146°	146°	146°	146°
Pull-out force	5700 daN (12814 lbf)	5700 daN (12814 lbf)	5700 daN (12814 lbf)	5700 daN (12814 lbf)
Towing force	7300 daN (16411 lbf)	7300 daN (16411 lbf)	7300 daN (16411 lbf)	7300 daN (16411 lbf)
Unladen weight	7600 kg (16755 lb)	7700 kg (16976 lb)	8000 kg (17637 lb)	8200 kg (18078 lb)
Maximum climb angle	40 %	40 %	40 %	40 %
Max speed (referred to wheels with maximum permitted diameter)	30 km/h (18.6 mph)	30 km/h (18.6 mph)	30 km/h (18.6 mph)	40 km/h (24.9 mph)

BOOM

Vehicle model	ZEUS 37.7	ZEUS 37.8	ZEUS 38.10	Zeus 33.11
Getting off the basket	3.8 s	3.7 s	5 s	5 s
Lifting	7.3 s	7.2 s	8.7 s	8.7 s
Extension	5.2 s	5.5 s	7.6 s	8.6 s
Retraction	2.9 s	3.1 s	4.6 s	5.2 s
Forward swiveling	2.7 s	2.7 s	2.7 s	2.7 s
Reverse swiveling	1.7 s	1.6 s	1.6 s	1.6 s

ENGINE

Vehicle model	ZEUS 37.7	ZEUS 37.8	ZEUS 38.10	Zeus 33.11
Brand	FPT	FPT	FPT	FPT
Nominal power	93 kW (125 HP)	93 kW (125 HP)	93 kW (125 HP)	93 kW (125 HP)
@rpm	2200 rpm	2200 rpm	2200 rpm	2200 rpm
Peak power	93 kW (125 HP)	93 kW (125 HP)	93 kW (125 HP)	93 kW (125 HP)
@rpm	2200 rpm	2200 rpm	2200 rpm	2200 rpm
Operation	4-stroke	4-stroke	4-stroke	4-stroke
Injection	Mechanical direct	Mechanical direct	Mechanical direct	Mechanical direct
Number and arrangement of cylinders	4, Vertical in line	4, Vertical in line	4, Vertical in line	4, Vertical in line
Displacement	4485 cm ³ (274 in ³)	4485 cm ³ (274 in ³)	4485 cm ³ (274 in ³)	4485 cm ³ (274 in ³)
Consumption	230 g/kWh (378.35 lb/Hp h)	230 g/kWh (378.35 lb/Hp h)	230 g/kWh (378.35 lb/Hp h)	230 g/kWh (378.35 lb/Hp h)
@rpm	2200 rpm	2200 rpm	2200 rpm	2200 rpm
Emission standards	Stage IIIA/Tier 3	Stage IIIA/Tier 3	Stage IIIA/Tier 3	Stage IIIA/Tier 3
Cooling system	Liquid	Liquid	Liquid	Liquid
Intake	Turbocharger after-cooler	Turbocharger after-cooler	Turbocharger after-cooler	Turbocharger after-cooler
Air filter	Replaceable cartridge for dry filter	Replaceable cartridge for dry filter	Replaceable cartridge for dry filter	Replaceable cartridge for dry filter

TRANSMISSION

Vehicle model	ZEUS 37.7	ZEUS 37.8	ZEUS 38.10	Zeus 33.11
Transmission type	Hydrostatic with variable displacement pump	Hydrostatic with variable displacement pump	Hydrostatic with variable displacement pump	Hydrostatic with variable displacement pump
Hydraulic motor	Hydrostatic with continuous automatic adjustment	Hydrostatic with continuous automatic adjustment	Hydrostatic with continuous automatic adjustment	Hydrostatic with continuous automatic adjustment
Reversal	Electro-Hydraulic	Electro-Hydraulic	Electro-Hydraulic	Electro-Hydraulic
Inching	With hydraulic pedal for controlled forward movement	With hydraulic pedal for controlled forward movement	With hydraulic pedal for controlled forward movement	With hydraulic pedal for controlled forward movement
Gearbox	Servo-controlled 2-speed	Servo-controlled 2-speed	Servo-controlled 2-speed	Servo-controlled 2-speed

DIFFERENTIAL AXLES

Vehicle model	ZEUS 37.7	ZEUS 37.8	ZEUS 38.10	Zeus 33.11
Type of axles	2 steering, with 4 epicycloidal reduction gears	2 steering, with 4 epicycloidal reduction gears	2 steering, with 4 epicycloidal reduction gears	2 steering, with 4 epicycloidal reduction gears
Type of steering	4 wheels / transversal / 2 wheels	4 wheels / transversal / 2 wheels	4 wheels / transversal / 2 wheels	4 wheels / transversal / 2 wheels
Front axle	Rigid	Rigid	Rigid	Rigid
Rear axle	Swinging	Swinging	Swinging	Swinging
Service braking	Oil bath with servo brake on front axle	Oil bath with servo brake on front axle	Oil bath with servo brake on front axle	Oil bath with servo brake on front axle
Parking braking	Negative actuation with electrical control	Negative actuation with electrical control	Negative actuation with electrical control	Negative actuation with electrical control

HYDRAULIC SYSTEM

Vehicle model	ZEUS 37.7	ZEUS 37.8	ZEUS 38.10	Zeus 33.11
Hydraulic pump type	Gear pump for power steering and movements	Gear pump for power steering and movements	Gear pump for power steering and movements	Gear pump for power steering and movements
Hydraulic pump capacity	130 l/min (34.3 gal/min)	130 l/min (34.3 gal/min)	130 l/min (34.3 gal/min)	130 l/min (34.3 gal/min)
Max. operating pressure	24 MPa (3481 psi)	24 MPa (3481 psi)	24 MPa (3481 psi)	24 MPa (3481 psi)
Distributor control	Proportional 4in1 Joystick	Proportional 4in1 Joystick	Proportional 4in1 Joystick	Proportional 4in1 Joystick
Distributor type	Hydraulic control distributor-single joystick with proportional controls. Open center services	Hydraulic control distributor-single joystick with proportional controls. Open center services	Hydraulic control distributor-single joystick with proportional controls. Open center services	Hydraulic control distributor-single joystick with proportional controls. Open center services
Outriggers	-	-	-	2 independent outriggers

FILLING

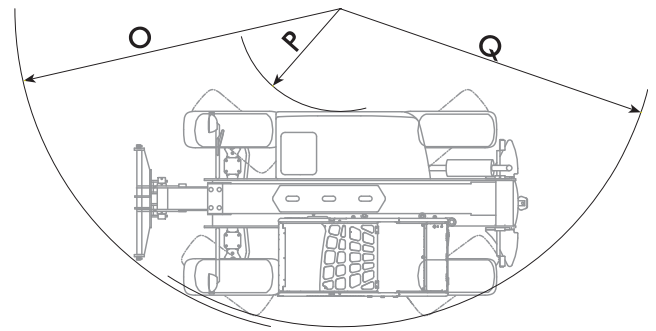
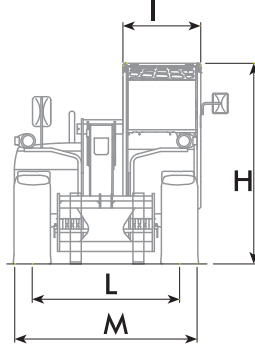
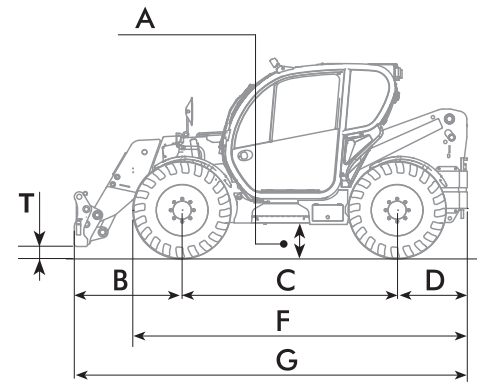
Vehicle model	ZEUS 37.7	ZEUS 37.8	ZEUS 38.10	Zeus 33.11
Hydraulic system (total)	140 l (36.98 gal)	140 l (36.98 gal)	140 l (36.98 gal)	140 l (36.98 gal)
Diesel tank	160 l (42.27 gal)	160 l (42.27 gal)	160 l (42.27 gal)	160 l (42.27 gal)

TYRES

Vehicle model	ZEUS 37.7	ZEUS 37.8	ZEUS 38.10	Zeus 33.11
Standard tires	400/70x20"	400/70x20"	400/70x20"	400/70x20"

DIMENSIONS

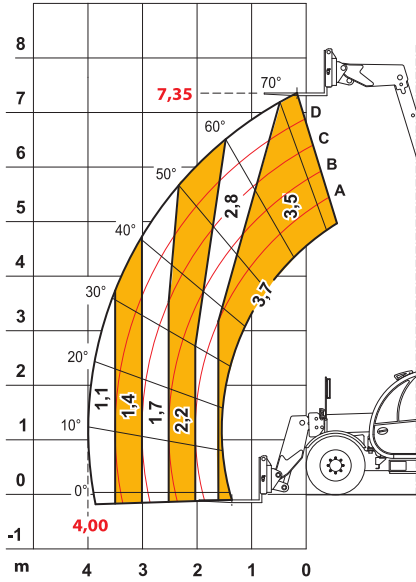
Vehicle model	ZEUS 37.7	ZEUS 37.8	ZEUS 38.10	Zeus 33.11
A	340 mm (13.4 in)	340 mm (13.4 in)	340 mm (13.4 in)	340 mm (13.4 in)
B	1380 mm (54.3 in)	1620 mm (63.8 in)	1380 mm (54.3 in)	1730 mm (68.1 in)
C	2600 mm (102.4 in)	2600 mm (102.4 in)	2600 mm (102.4 in)	2600 mm (102.4 in)
D	970 mm (38.2 in)	970 mm (38.2 in)	970 mm (38.2 in)	970 mm (38.2 in)
F	4060 mm (159.8 in)	4060 mm (159.8 in)	4060 mm (159.8 in)	4060 mm (159.8 in)
G	4950 mm (194.9 in)	4950 mm (194.9 in)	4950 mm (194.9 in)	5300 mm (208.7 in)
H	2310 mm (90.9 in)	2310 mm (90.9 in)	2310 mm (90.9 in)	2310 mm (90.9 in)
I	940 mm (37.0 in)	940 mm (37.0 in)	940 mm (37.0 in)	940 mm (37.0 in)
L	1780 mm (70.1 in)	1780 mm (70.1 in)	1780 mm (70.1 in)	1780 mm (70.1 in)
M	2290 mm (90.2 in)	2290 mm (90.2 in)	2290 mm (90.2 in)	2290 mm (90.2 in)
O	3700 mm (145.7 in)	4050 mm (159.4 in)	3700 mm (145.7 in)	5150 mm (202.8 in)
P	950 mm (37.4 in)	950 mm (37.4 in)	950 mm (37.4 in)	950 mm (37.4 in)
Q	4000 mm (157.5 in)	4000 mm (157.5 in)	4000 mm (157.5 in)	4000 mm (157.5 in)
T	175 mm (6.9 in)	160 mm (6.3 in)	220 mm (8.7 in)	183 mm (7.2 in)



MAX 3,7 t

500 mm

AXB1323



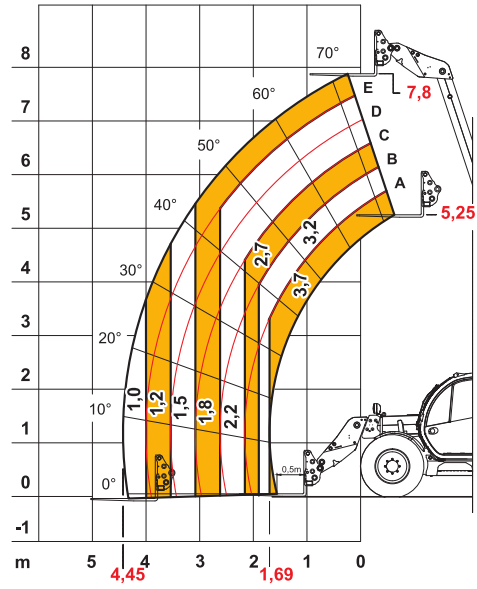
EN1459

37.7

MAX 3,7 t

500 mm

DOC10000466



EN1459

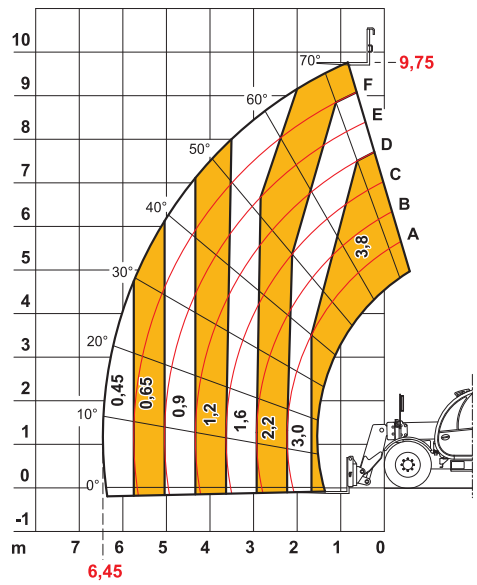
37.8

ON DEMAND

MAX 3,8 t

500 mm

AXB1381



EN1459

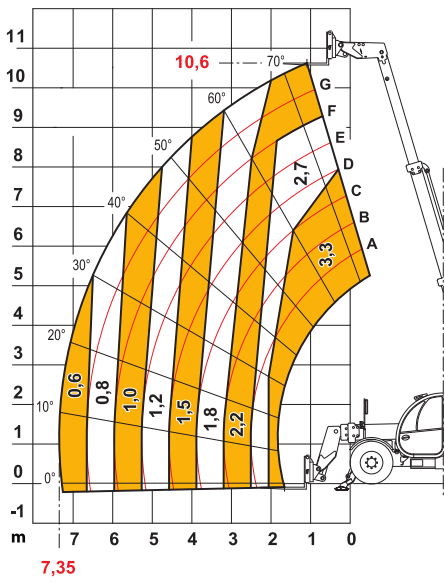
38.10

37.8

MAX 3,3 t

500 mm

AXB1324H



EN1459

33.11