

ZEUS

40.8 | 38.10 | 35.11 | 40.13



DIECI



NEW CONSTRUCTION *THE CONSTRUCTION SITE IN YOUR HANDS*

The needs on construction sites are changing: management costs must be reduced, the vehicles productivity must be continuously improved. And Dieci meets its customers new requirements, evolving its own Product Offering with a new proposal of models that completes the Construction range.

More versatile vehicles - to perform different jobs - more **compact**, more **reliable**, **easy** and intuitive to use, while guaranteeing the maximum safety at all times. Maintenance is very easy thanks to **durable** components and materials that require replacement after several hundred hours of use. Modern vehicle, even in the lines, with the new Giugiaro Design cab enriched with materials derived from Truck and Automotive sectors that enhance its interiors. The **Zeus** family is composed of versatile and dynamic telehandlers, designed to handle important loads in confined spaces, both in the construction and industrial sectors, with the right balance between power and agility. Zeus telehandlers have been completely redesigned to reduce operating costs and emissions. Outriggers with proportional control, transverse leveling device and a wide range of equipment available allow to carry out various operations: with a telehandler, **you have the whole construction site in your hands.**

VERSATILE AND DYNAMIC

INTELLIGENT COMMANDS

- All boom movements are controlled by a **single joystick**, in a precise and proportional way and regardless of the load
- **Automatic electric parking brake**, even with the engine off: hill-start assist always available
- **Joystick with integrated FNR**, with capacitive sensor to automatically detect the operator's presence
- Vehicle information and diagnostic menu browsable in the 3.5" display
- Dashboard with clear instrument panel and **well-distributed controls**

INTEGRATED FNR

PARKING BRAKE



ZEUS 35.11

- ↑ Height 10,6 m
- ⚖ Capacity 3500 kg
- ⚡ Power 54,6 kW@2600 rpm
- ⚖ Mass 8900 kg



ZEUS 38.10

- ↑ Height 9,6 m
- ⚖ Capacity 3800 kg
- ⚡ Power 54,6 kW@2600 rpm
- ⚖ Mass 8700 kg



ZEUS 40.8

- ↑ Height 7,6 m
- ⚖ Capacity 4000 kg
- ⚡ Power 54,6 kW@2600 rpm
- ⚖ Mass 8400 kg



ZEUS 40.13

- ↑ Height 12,5 m
- ⚖ Capacity 4000 kg
- ⚡ Potenza 54,6 kW@2600 rpm
- ⚖ Mass 8900 kg



DTS

The **Dieci Telematic System** is the innovative telematic system that allows to interact with the vehicle remotely to geolocate it, monitor its operating parameters, measure its performance and limit its use.

By installing a high-tech control unit, the customer and the manufacturer can **connect to the vehicle in real time** from a computer or any mobile device and, through the **GSM and GPS networks**, discover where, if and how the machine is working, and **detect operating anomalies**, if any.

The operating data, collected via cloud, enable full **monitoring and diagnostics**. The support team and user can analyze the parameters directly, identify shortfalls in performance, and improve functionality or identify any maintenance operations required, thereby **optimizing costs** and ensuring **the vehicle and fleet are maintained in peak efficiency**.

The machine and its operators benefit from **active protection against theft and accident**: a notification is sent immediately if the vehicle leaves the predefined area. By setting a safe operating track, the operator is immediately alerted to any risk of impact or anomaly.



STRONG AND SAFE

POWERFUL AND STABLE

- **Extremely versatile and dynamic** vehicles in all operating conditions, with boom retracted or extended
- **High efficiency Kubota engines**: low noise, low consumption and low emissions
- **Arm too high** function: forward movement speed limited automatically when the boom is raised
- **Increased lateral stability**: longer wheelbase and robust chassis
- **EN15000 anti-tipping system**: aggravating movements blocked in the event of overload and load level always in evidence
- **ROPS and FOPS Cab**: operator protection guaranteed thanks to the dimensional stability of the cab
- **Independent outriggers** with proportional controls, available for Zeus 35.11 and Zeus 40.13
- **Transverse leveling device***: to always work with the chassis in horizontal position, even on uneven ground
- Zeus telescopic handlers are automatically configured when the equipment is attached: this eliminates any possible human error and the **operator's safety is guaranteed at all times**

*Optional

INDEPENDENT OUTRIGGERS

TRANSVERSE LEVELING DEVICE

FLEXIBLE AND FUNCTIONAL

WIDE RANGE OF EQUIPMENT

- The new Zeus vehicles have been designed to use the **various equipment** needed to carry out **all the work required by a construction site**: forks, loaders, lifting hooks, jibs with winches, grippers, material baskets, mixing buckets, concrete ladles, sweepers, salt spreader, snowplow blades
- **Automatic equipment recognition**: the vehicle configures itself automatically recognizing the equipment attached
- **Pre-arrangement for man basket**: the new keypad allows the operator to control the boom and the aerial platform directly from the basket, in total autonomy and full safety (complies with the EN 280 standard)



PRACTICAL AND RELIABLE

FACILITATED DRIVING AND MAINTENANCE

- **Four driving wheels** and four steering wheels
- **Three steering modes** which can be selected by the operator: concentric, front and crab
- Hydraulic oil change every **2000 hours**
- **Easy to reach filters** in the engine compartment
- Sturdy and durable boom assembly: **tested reliability** for years of multiple applications and uses
- **Standard battery isolation** switch, well protected and quickly accessible under the cab

TECHNOLOGICAL EFFICIENCY

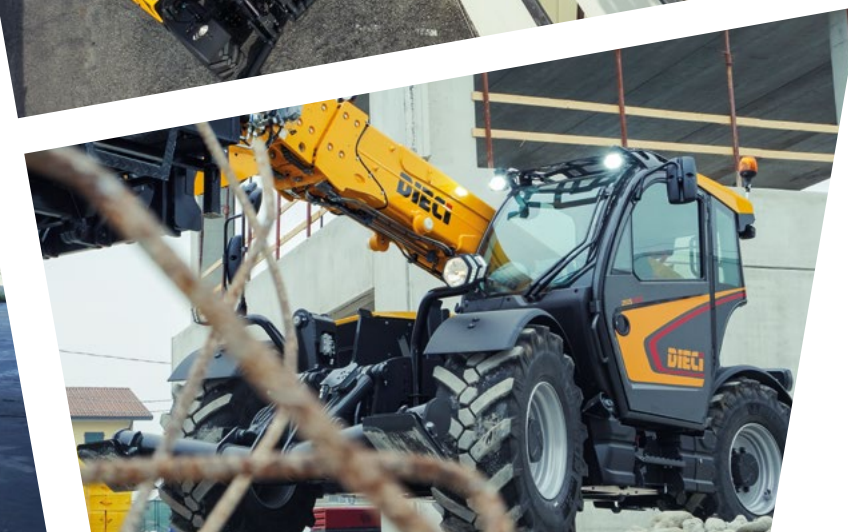
DIECI HARDWARE AND SOFTWARE

- **Always smooth boom movement:** when the operating limits are reached, a speed limit is activated which makes the work experience smooth and jolt-free. This avoids loss of material from forks and bucket and allows more precise manoeuvres from inside the basket, dampened in all movement conditions
- **Hydrostatic transmission** with fully electronic control
- **New control software** developed by the Dieci R&D department: advanced boom, vehicle, engine, transmission and exhaust treatment control
- **Low consumption, high efficiency, optimized yield and maximum safety** in all the vehicle conditions of use
- **ECO function:** maximum speed already at 1900 rpm, automatically managed by the control unit according to the power required by the operator
- High-strength steel structures produced internally by Dieci: **top market performance**

SMOOTH BOOM

NEW SOFTWARE

LOW CONSUMPTION



COMFORT AND CONTROL

NEW GIUGIARO DESIGN

- **Giugiaro Design cab:** fine interiors derived from the Truck and Automotive sectors
- **More space** for the operator's legs
- Adjustable steering column and armrest
- **Three seat suspension systems** to choose from: mechanical, pneumatic and low frequency pneumatic
- Soundproofing roof, dashboard and mat
- Large windows
- Integrated **LED work lights** for maximum visibility even at night: on the cab, boom and perimeter
- Rear-view mirrors that allow all-round visibility and optional **cameras**
- Direction of travel and boom controlled by the **new ergonomic joystick**

TECHNICAL DATA

PERFORMANCE

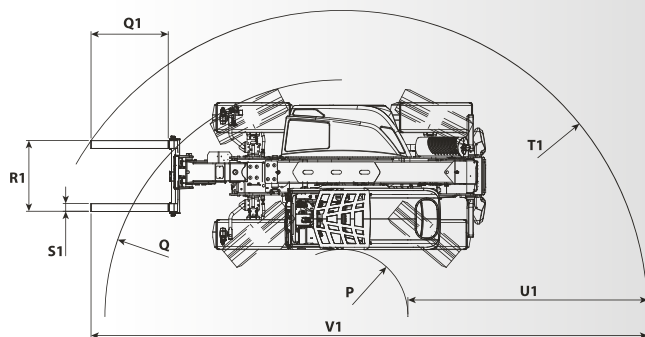
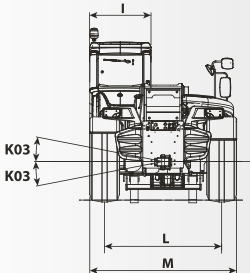
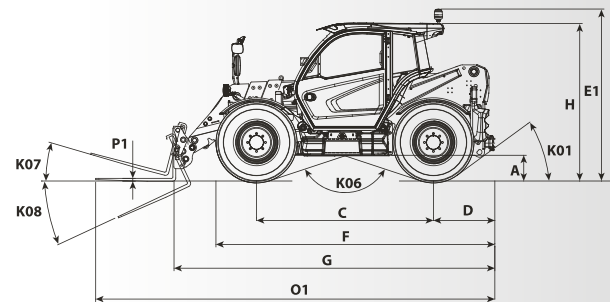
Vehicle model	ZEUS 40.8 - GD	ZEUS 38.10 - GD	ZEUS 35.11 - GD	ZEUS 40.13 - GD
Maximum capacity	4000 kg (8818 lb)	3800 kg (8378 lb)	3500 kg (7716 lb)	4000 kg (8818 lb)
Maximum lifting height	7,6 m (24,9 ft)	9,6 m (31,5 ft)	10,6 m (34,8 ft)	12,5 m (41,0 ft)
Maximum horizontal extension	4,4 m (14,4 ft)	6,2 m (20,3 ft)	6,9 m (22,6 ft)	8,5 m (27,9 ft)
Fork swiveling angle	146 °	146 °	146 °	146 °
Pull-out force	8200 daN (18434 lbf)	8200 daN (18434 lbf)	8200 daN (18434 lbf)	8200 daN (18434 lbf)
Towing force	8300 daN (18659 lbf)	8300 daN (18659 lbf)	8300 daN (18659 lbf)	8300 daN (18659 lbf)
Maximum climb angle	45%	45%	45%	45%
Unladen weight	8400 kg (18519 lb)	8700 kg (19180 lb)	8900 kg (19621 lb)	8900 kg (19621 lb)
Max speed (referred to wheels with maximum permitted diameter)	30 km/h (18,6 mph)	30 km/h (18,6 mph)	30 km/h (18,6 mph)	30 km/h (18,6 mph)

ENGINE

Vehicle model	ZEUS 40.8 - GD	ZEUS 38.10 - GD	ZEUS 35.11 - GD	ZEUS 40.13 - GD
Brand	Kubota	Kubota	Kubota	Kubota
Nominal power	54,6 kW (73 HP)	54,6 kW (73 HP)	54,6 kW (73 HP)	54,6 kW (73 HP)
@rpm	2600 rpm	2600 rpm	2600 rpm	2600 rpm
Operation	4-stroke	4-stroke	4-stroke	4-stroke
Injection	Electronic, Common rail	Electronic, Common rail	Electronic, Common rail	Electronic, Common rail
Number and arrangement of cylinders	4, Vertical in line	4, Vertical in line	4, Vertical in line	4, Vertical in line
Displacement	3331 cm³ (203 in³)	3331 cm³ (203 in³)	3331 cm³ (203 in³)	3331 cm³ (203 in³)
Consumption	231 g/kWh (380,00 lb/Hp h)	231 g/kWh (380,00 lb/Hp h)	231 g/kWh (380,00 lb/Hp h)	231 g/kWh (380,00 lb/Hp h)
Emission standard	Stage V/Tier 4f	Stage V/Tier 4f	Stage V/Tier 4f	Stage V/Tier 4f
Exhaust gas treatment	DOC+DPF	DOC+DPF	DOC+DPF	DOC+DPF
Cooling system	Liquid	Liquid	Liquid	Liquid
Intake	Turbocharger after-cooler	Turbocharger after-cooler	Turbocharger after-cooler	Turbocharger after-cooler

HYDRAULIC SYSTEM

Vehicle model	ZEUS 40.8 - GD ZEUS 38.10 - GD	ZEUS 35.11 - GD ZEUS 40.13 - GD
Hydraulic pump type	No. 1 LS piston pump for power-steering and boom movements. No. 1 gear pump for and Fan Drive.	No. 1 LS piston pump for power-steering and boom movements. No. 1 gear pump for and Fan Drive.
Hydraulic pump capacity	127 L/min (33,5 gal/min)	127 L/min (33,5 gal/min)
Max. operating pressure	26 MPa (3771 psi)	26 MPa (3771 psi)
Distributor control	4 in 1 proportional Joystick with FNR	4 in 1 proportional Joystick with FNR
Outriggers	No	Two with proportional control and independent from the cab



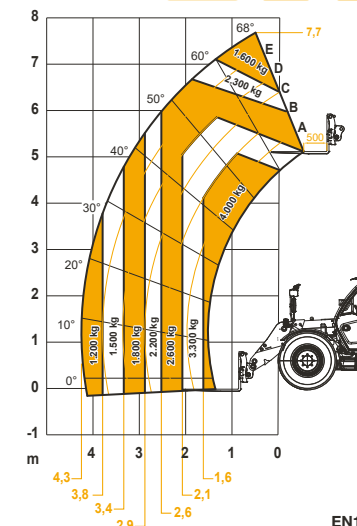
TRANSMISSION

Transmission type	Hydrostatic with variable displacement pump
Hydraulic motor	Hydrostatic with continuous automatic adjustment
Reversal	With electronic control operated with vehicle in motion
Inching	With electronic pedal for controlled forward movement

DIMENSIONS

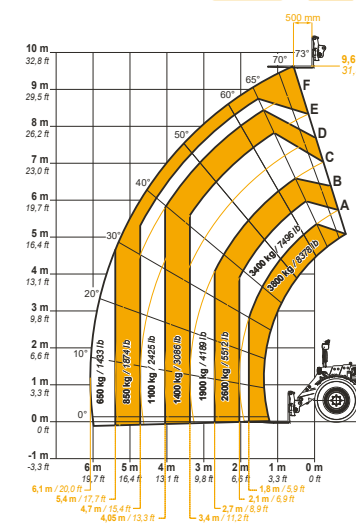
	ZEUS 40.8 - GD	ZEUS 38.10 - GD	ZEUS 35.11 - GD	ZEUS 40.13 - GD
A	360 mm (14,2 in)	360 mm (14,2 in)	360 mm (14,2 in)	360 mm (14,2 in)
C	2750 mm (108,3 in)	2750 mm (108,3 in)	2750 mm (108,3 in)	2750 mm (108,3 in)
D	937 mm (36,9 in)	937 mm (36,9 in)	920 mm (36,2 in)	1270 mm (50,0 in)
E1	2860 mm (112,6 in)	2860 mm (112,6 in)	2860 mm (112,6 in)	2860 mm (112,6 in)
F	4276 mm (168,3 in)	4276 mm (168,3 in)	4250 mm (167,3 in)	4600 mm (181,1 in)
G	5227 mm (205,8 in)	5050 mm (198,8 in)	5350 mm (210,6 in)	6050 mm (238,2 in)
H	2410 mm (94,9 in)	2410 mm (94,9 in)	2410 mm (94,9 in)	2410 mm (94,9 in)
I	960 mm (37,8 in)	960 mm (37,8 in)	960 mm (37,8 in)	960 mm (37,8 in)
K01	31 °	31 °	32 °	23 °
K03	9 °	9 °	10 °	10 °
K06	150 °	150 °	150 °	150 °
K07	16 °	16 °	16 °	18 °
K08	131 °	131 °	131 °	140 °
L	1870 mm (73,6 in)	1870 mm (73,6 in)	1870 mm (73,6 in)	1870 mm (73,6 in)
M	2290 mm (90,2 in)	2290 mm (90,2 in)	2290 mm (90,2 in)	2290 mm (90,2 in)
O1	6635 mm (261,2 in)	6195 mm (243,9 in)	1200 mm (47,2 in)	7170 mm (282,3 in)
P	1030 mm (40,6 in)	1030 mm (40,6 in)	1030 mm (40,6 in)	1030 mm (40,6 in)
Q	3665 mm (144,3 in)	3665 mm (144,3 in)	3665 mm (144,3 in)	3665 mm (144,3 in)
R1	1100 mm (43,3 in)	1100 mm (43,3 in)	1100 mm (43,3 in)	1100 mm (43,3 in)
S1	120 mm (4,7 in)	120 mm (4,7 in)	120 mm (4,7 in)	120 mm (4,7 in)
T1	5127 mm (201,9 in)	4759 mm (187,4 in)	4940 mm (194,5 in)	5245 mm (206,5 in)
U1	4097 mm (161,3 in)	3729 mm (146,8 in)	3940 mm (155,1 in)	4245 mm (167,1 in)
V1	9463 mm (372,6 in)	8655 mm (340,7 in)	9120 mm (359,1 in)	9770 mm (384,6 in)
P1	45 mm (1,8 in)	45 mm (1,8 in)	45 mm (1,8 in)	45 mm (1,8 in)
Q1	1200 mm (47,2 in)	1200 mm (47,2 in)	1200 mm (47,2 in)	1200 mm (47,2 in)
U1	3706 mm (145,9 in)	3729 mm (146,8 in)	3940 mm (155,1 in)	4245 mm (167,1 in)
V1	8599 mm (338,5 in)	8655 mm (340,7 in)	9120 mm (359,1 in)	9770 mm (384,6 in)
P1	45 mm (1,8 in)	45 mm (1,8 in)	45 mm (1,8 in)	45 mm (1,8 in)
Q1	1200 mm (47,2 in)	1200 mm (47,2 in)	1200 mm (47,2 in)	1200 mm (47,2 in)

MAX
4000 kg / 8818 lb



EN1459

MAX
3800 kg / 8378 lb

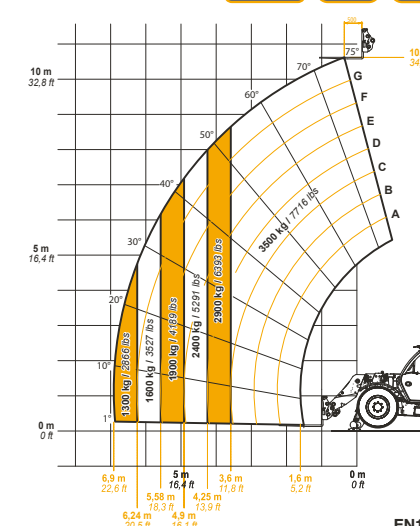


EN1459

40.8

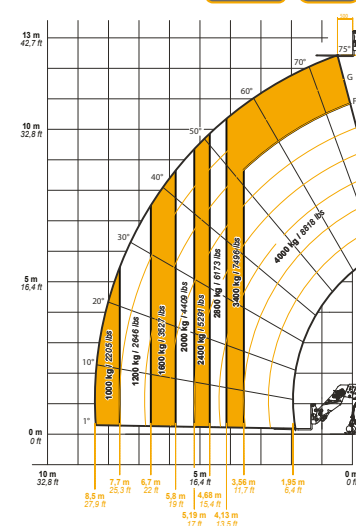
38.10

MAX
3500 kg / 7716 lb



EN1459

MAX
4000 kg / 8818 lb



EN1459

35.11

40.13

DIECI SERVICE

ASSISTANCE SERVICE ALWAYS AND EVERYWHERE

General headquarters in Emilia Romagna - over 135,000 square meters and about 400 people employed - and 3 branches in Germany, United Kingdom, France: Dieci is present in over 70 Countries with **an extensive network of over 400 dealers** and authorized service centers.

Dieci Service, our global technical assistance service, is developed on this basis: our customers are assisted directly by specialized technicians and every request is satisfied in a very short time. Dieci Service, **within a few hours, can provide interventions and spare parts all over the world.**

Visit www.dieci.com to find the dealer closest to you.

400 DEALERS

70 COUNTRIES

3 BRANCHES

ZEUS

40.8 | 38.10 | 35.11 | 40.13

INVICTO

DIECI

www.dieci.com



Ph: masterservicelorenz.it