

DIECI
A M E R I C A S
T E L E H A N D L E R S



ICARUS

45.14 | 45.17



dieci-americas.com

PERFORMANCE

Vehicle model	ICARUS 45.14 - GD	ICARUS 45.17 - GD
Maximum capacity	9900 lb (4491 kg)	9900 lb (4491 kg)
Maximum lifting height	44.0 ft (13.4 m)	53.8 ft (16.4 m)
Maximum horizontal extension	31 ft (9.4 m)	41 ft (12.5 m)
Fork swiveling angle	130°	130°
Pull-out force	12814 lbf (5700 daN)	22031 lbf (9800 daN)
Towing force	19435 lbf (8645 daN)	19435 lbf (8645 daN)
Unladen weight	24229 lb (10990 kg)	25199 lb (11430 kg)
Maximum climb angle	40 %	50 %
Max speed (referred to wheels with maximum permitted diameter)	15.5 mph (25 km/h)	15.5 mph (25 km/h)

BOOM

Vehicle model	ICARUS 45.14 - GD	ICARUS 45.17 - GD
Getting off the basket	12.8 s	12.8 s
Lifting	14.4 s	14.4 s
Extension	23.5 s	23.5 s
Retraction	19.8 s	18 s
Forward swiveling	4.2 s	4.2 s
Reverse swiveling	2.6 s	2.6 s

ENGINE

Vehicle model	ICARUS 45.14 - GD	ICARUS 45.17 - GD
Brand	Kubota	Kubota
Nominal power	74 HP (55.4 kW)	74 HP (55.4 kW)
@rpm	2600 rpm	2600 rpm
Peak power	74 HP (55.4 kW)	74 HP (55.4 kW)
@rpm	2600 rpm	2600 rpm
Operation	4-stroke	4-stroke
Injection	Electronic, Common Rail	Electronic, Common Rail
Number and arrangement of cylinders	4, Vertical in line	4, Vertical in line
Displacement	203 in ³ (3331 cm ³)	203 in ³ (3331 cm ³)
Consumption	375.06 lb/Hp h (228 g/kWh)	375.06 lb/Hp h (228 g/kWh)
@rpm	2600 rpm	2600 rpm
Emission standards	Stage V/Tier 4f	Stage V/Tier 4f
Exhaust gas treatment	DOC+DPF	DOC+DPF
Cooling system	Liquid	Liquid
Intake	Turbocharger after-cooler	Turbocharger after-cooler
Air filter	Air pre-heating and air pre-filtering with dust separator	Air pre-heating and air pre-filtering with dust separator

TRANSMISSION

Vehicle model	ICARUS 45.14 - GD	ICARUS 45.17 - GD
Transmission type	Hydrostatic with electronic control with variable displacement pump and ECO function	Hydrostatic with variable displacement pump
Hydraulic motor	Hydrostatic with continuous automatic adjustment	Hydrostatic with continuous automatic adjustment
Reversal	With electronic control	With electronic control
Inching	With electronic pedal for controlled forward movement	With electronic pedal for controlled forward movement
Gearbox	Servo-controlled 2-speed	Servo-controlled 2-speed

DIFFERENTIAL AXLES

Vehicle model	ICARUS 45.14 - GD	ICARUS 45.17 - GD
Type of axles	2 steering, with 4 epicycloidal reduction gears	2 steering, with 4 epicycloidal reduction gears
Type of steering	4 wheels / transversal / 2 wheels	4 wheels / transversal / 2 wheels
Front axle	With transverse leveling device with control in the cab	With transverse leveling device with control in the cab
Rear axle	Swinging	Swinging
Service braking	Oil bath with servo brake on front and rear axle with double hydraulic system	Oil bath with servo brake on front and rear axle with double hydraulic system
Parking braking	Negative actuation with electrical control	Negative actuation with electrical control

HYDRAULIC SYSTEM

Vehicle model	ICARUS 45.14 - GD	ICARUS 45.17 - GD
Hydraulic pump type	Gear pump for power steering and movements	Gear pump for power steering and movements
Hydraulic pump capacity	26,9 gal/min (102 l/min)	26,9 gal/min (102 l/min)
Max. operating pressure	3916 psi (27 MPa)	3916 psi (27 MPa)
Distributor control	4 in 1 proportional electrical Joystick with FNR	4 in 1 proportional electrical Joystick with FNR
Distributor type	Distributor 4in1 full electric	Distributor 4in1 full electric
Outriggers	2 with proportional control and independent from the cab	Two with proportional control and independent from the cab

FILLING

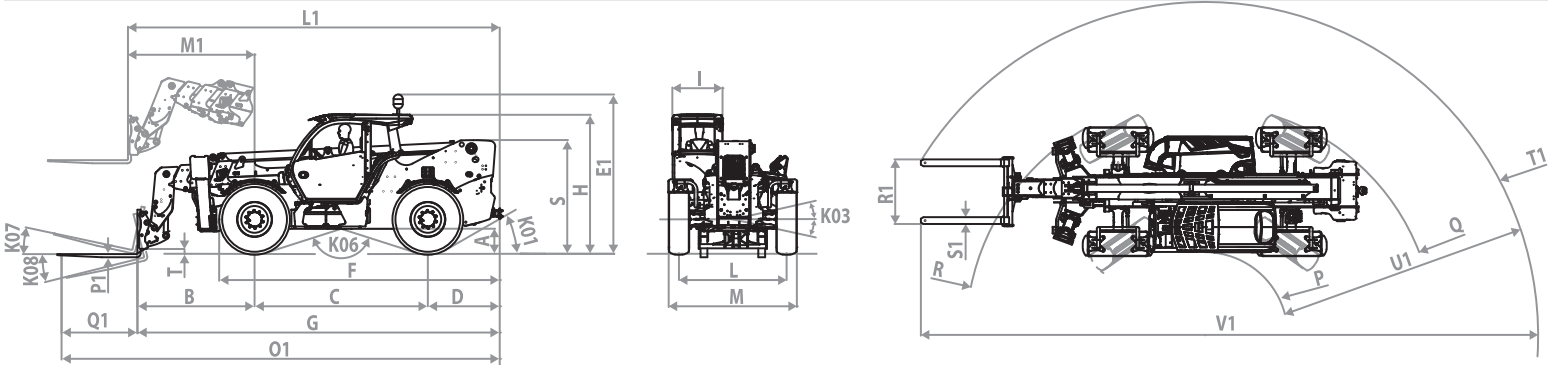
Vehicle model	ICARUS 45.14 - GD	ICARUS 45.17 - GD
Hydraulic system (total)	45.97 gal (174 l)	45.97 gal (174 l)
Diesel tank	31.70 gal (120 l)	31.70 gal (120 l)
AdBlue tank	5.28 gal (20 l)	5.28 gal (20 l)

TYRES

Vehicle model	ICARUS 45.14 - GD	ICARUS 45.17 - GD
Standard tires	405/70-24	405/70-24

DIMENSIONS

Vehicle model	ICARUS 45.14 - GD	ICARUS 45.17 - GD
A	15.4 in (390 mm)	15.4 in (390 mm)
B	74.8 in (1900 mm)	77.2 in (1960 mm)
C	120.1 in (3050 mm)	120.1 in (3050 mm)
D	49.4 in (1255 mm)	49.4 in (1255 mm)
E1	110.4 in (2805 mm)	110.4 in (2805 mm)
F	192.5 in (4890 mm)	192.5 in (4890 mm)
G	244.1 in (6200 mm)	246.5 in (6260 mm)
H	99.6 in (2530 mm)	99.6 in (2530 mm)
I	37.8 in (960 mm)	37.8 in (960 mm)
L	77.6 in (1970 mm)	77.6 in (1970 mm)
L1	249.6 in (6340 mm)	254.1 in (6455 mm)
K01	32°	32°
K03	10°	10°
K06	147°	147°
K07	14°	14°
K08	120°	120°
M	94.1 in (2390 mm)	94.1 in (2390 mm)
M1	79.9 in (2030 mm)	79.9 in (2030 mm)
O1	291.3 in (7400 mm)	293.9 in (7465 mm)
P	55.3 in (1405 mm)	55.3 in (1405 mm)
P1	2.0 in (50 mm)	2.0 in (50 mm)
Q	163.0 in (4140 mm)	163.0 in (4140 mm)
Q1	47.2 in (1200 mm)	47.2 in (1200 mm)
R	163.0 in (4140 mm)	163.0 in (4140 mm)
R1	48.0 in (1220 mm)	48.0 in (1220 mm)
S	70.9 in (1800 mm)	70.9 in (1800 mm)
S1	4.7 in (120 mm)	4.7 in (120 mm)
T	6.1 in (155 mm)	3.9 in (98 mm)
T1	221.9 in (5635 mm)	223.4 in (5675 mm)
U1	166.5 in (4230 mm)	168.3 in (4275 mm)
V1	403.9 in (10260 mm)	407.9 in (10360 mm)



ON DEMAND

45.14

ON DEMAND

45.17