

DIECI
AMERICAS
TELEHANDLERS



APOLLO

26.6



dieci-americas.com

PERFORMANCE

Vehicle model	Apollo 26.6
Maximum capacity	5700 lb (2585 kg)
Maximum lifting height	18.8 ft (5.73 m)
Maximum horizontal extension	10.49 ft (3.2 m)
Fork swiveling angle	129°
Pull-out force	12387 lbf (5510 daN)
Towing force	9892 lbf (4400 daN)
Unladen weight	11244 lb (5100 kg)
Maximum climb angle	40 %
Max speed (referred to wheels with maximum permitted diameter)	18.6 mph (30 km/h)

BOOM

Vehicle model	Apollo 26.6
Getting off the basket	5.24 s
Lifting	10.07 s
Extension	7.87 s
Retraction	4.37 s
Forward swiveling	4.54 s
Reverse swiveling	2.87 s

ENGINE

Vehicle model	Apollo 26.6
Brand	YANMAR
Nominal power	72 HP (53.7 kW)
@rpm	2500 rpm
Operation	4-stroke
Injection	Electronic, Common Rail
Number and arrangement of cylinders	4, Vertical in line
Displacement	203 in ³ (3319 cm ³)
Consumption	386.58 lb/Hp h (235 g/kWh)
@rpm	2500 rpm
Emission standards	Stage V/Tier 4f
Exhaust gas treatment	Catalyst + Particulate filter (DOC+DPF)
Cooling system	Liquid
Intake	Turbo compressor
Air filter	Air pre-heating and air pre-filtering with dust separator

TRANSMISSION

Vehicle model	Apollo 26.6
Transmission type	Single speed Hydrostatic transmission with variable displacement pump
Hydraulic motor	Hydrostatic with continuous automatic adjustment
Reversal	Electro-Hydraulic
Inching	With hydraulic pedal for controlled forward movement

DIFFERENTIAL AXLES

Vehicle model	Apollo 26.6
Type of axles	2 steering, with 4 epicycloidal reduction gears
Type of steering	4 wheels / transversal / 2 wheels
Front axle	Rigid
Rear axle	Swinging
Service braking	Oil bath on front axle
Parking braking	Negative actuation with electrical control

HYDRAULIC SYSTEM

Vehicle model	Apollo 26.6
Hydraulic pump type	Gear pump for power steering and movements
Hydraulic pump capacity	21.1 gal/min (80 l/min)
Max. operating pressure	3336 psi (23 MPa)
Distributor control	Proportional 4in1 Joystick
Distributor type	Single-lever hydraulic proportional

FILLING

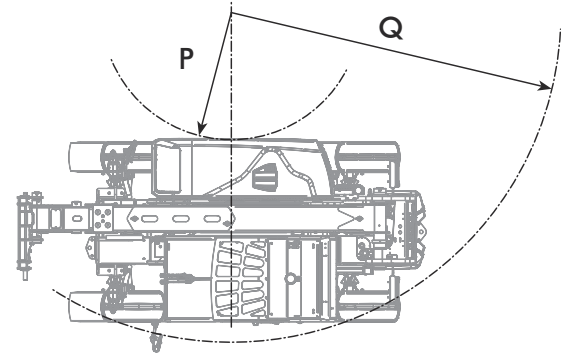
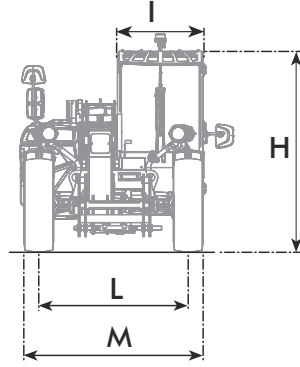
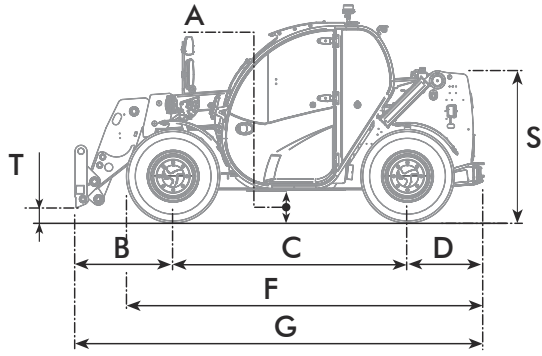
Vehicle model	Apollo 26.6
Hydraulic system (total)	22.45 gal (85 l)
Diesel tank	21.13 gal (80 l)

TYRES

Vehicle model	Apollo 26.6
Standard tires	12.0/75-18

DIMENSIONS

Vehicle model	Apollo 26.6
A	11.0 in (280 mm)
B	38.8 in (985 mm)
C	92.5 in (2350 mm)
D	30.1 in (765 mm)
F	141.1 in (3585 mm)
G	161.4 in (4100 mm)
H	78.0 in (1980 mm)
I	33.9 in (860 mm)
L	59.1 in (1500 mm)
M	73.2 in (1860 mm)
P	52.4 in (1330 mm)
Q	133.9 in (3400 mm)
S	58.5 in (1485 mm)
T	4.3 in (110 mm)



ON DEMAND

26.6