

**DIECI**  
AMERICAS  
TELEHANDLERS



**AGRI MAX POWER X2**

**50.8 | 65.8 | 60.9**



**[dieci-americas.com](http://dieci-americas.com)**

## PERFORMANCE

Vehicle model	AGRI MAX 50.8 POWER X2	AGRI MAX 65.8 POWER X2	AGRI MAX 60.9 POWER X2
Maximum capacity	11000 lb (4990 kg)	14330 lb (6500 kg)	13200 lb (5987 kg)
Maximum lifting height	25.3 ft (7.7 m)	25.3 ft (7.7 m)	28.2 ft (8.6 m)
Maximum horizontal extension	13.5 ft (4.1 m)	13.5 ft (4.1 m)	13.5 ft (4.1 m)
Fork swiveling angle	144°	144°	144°
Pull-out force	20008 lbf (8900 daN)	20008 lbf (8900 daN)	20008 lbf (8900 daN)
Towing force	19300 lbf (8585 daN)	19300 lbf (8585 daN)	19300 lbf (8585 daN)
Unladen weight	23964 lb (10870 kg)	26125 lb (11850 kg)	26125 lb (11850 kg)
Maximum climb angle	40 %	40 %	40 %
Max speed (referred to wheels with maximum permitted diameter)	31.1 mph (50 km/h)	31.1 mph (50 km/h)	31.1 mph (50 km/h)

## BOOM

Vehicle model	AGRI MAX 50.8 POWER X2	AGRI MAX 65.8 POWER X2	AGRI MAX 60.9 POWER X2
Getting off the basket	6.9 s	10.4 s	10.4 s
Lifting	8.7 s	11.1 s	11.1 s
Extension	7.3 s	7.3 s	8.4 s
Retraction	4.8 s	4.8 s	5.5 s
Forward swiveling	3.7 s	3.7 s	3.7 s
Reverse swiveling	3.8 s	3.8 s	3.8 s

## ENGINE

Vehicle model	AGRI MAX 50.8 POWER X2	AGRI MAX 65.8 POWER X2	AGRI MAX 60.9 POWER X2
Brand	FPT	FPT	FPT
Nominal power	168 HP (125 kW)	168 HP (125 kW)	168 HP (125 kW)
@rpm	2200 rpm	2200 rpm	2200 rpm
Peak power	172 HP (128 kW)	172 HP (128 kW)	172 HP (128 kW)
@rpm	1900 rpm	1900 rpm	1900 rpm
Operation	4-stroke	4-stroke	4-stroke
Injection	Electronic, Common Rail	Electronic, Common Rail	Electronic, Common Rail
Number and arrangement of cylinders	4, Vertical in line	4, Vertical in line	4, Vertical in line
Displacement	274 in <sup>3</sup> (4485 cm <sup>3</sup> )	274 in <sup>3</sup> (4485 cm <sup>3</sup> )	274 in <sup>3</sup> (4485 cm <sup>3</sup> )
Consumption	348.74 lb/HP h (212 g/kWh)	348.74 lb/HP h (212 g/kWh)	348.74 lb/HP h (212 g/kWh)
@rpm	2200 rpm	2200 rpm	2200 rpm
Emission standards	Stage V	Stage V	Stage V
Exhaust gas treatment	DOC+SCRoF (with AdBlue)	DOC+SCRoF (with AdBlue)	DOC+SCRoF (with AdBlue)
Cooling system	Liquid	Liquid	Liquid
Intake	16-valve turbocharger with aftercooler	16-valve turbocharger with aftercooler	16-valve turbocharger with aftercooler
Air filter	Air pre-heating and air pre-filtering with dust separator	Air pre-heating and air pre-filtering with dust separator	Air pre-heating and air pre-filtering with dust separator

## TRANSMISSION

Vehicle model	AGRI MAX 50.8 POWER X2	AGRI MAX 65.8 POWER X2	AGRI MAX 60.9 POWER X2
Transmission type	Continuously variable hydrostatic-mechanical CVT	Continuously variable hydrostatic-mechanical CVT	Continuously variable hydrostatic-mechanical CVT
Hydraulic motor	1 hydrostatic motor with continuous automatic adjustment	1 hydrostatic motor with continuous automatic adjustment	1 hydrostatic motor with continuous automatic adjustment
Reversal	With electronic control operated with vehicle in motion	With electronic control operated with vehicle in motion	With electronic control operated with vehicle in motion
Inching	With electronic pedal for controlled forward movement	With electronic pedal for controlled forward movement	With electronic pedal for controlled forward movement
Drive mode	Automotive, Eco, Loader, Creeper	Automotive, Eco, Loader, Creeper	Automotive, Eco, Loader, Creeper

## DIFFERENTIAL AXLES

Vehicle model	AGRI MAX 50.8 POWER X2	AGRI MAX 65.8 POWER X2	AGRI MAX 60.9 POWER X2
Type of axles	2 steering, with 4 epicycloidal reduction gears. Limited slip 45% on both axles	2 steering, with 4 epicycloidal reduction gears. Limited slip 45% on both axles	2 steering, with 4 epicycloidal reduction gears. Limited slip 45% on both axles
Type of steering	4 wheels / transversal / 2 wheels	4 wheels / transversal / 2 wheels	4 wheels / transversal / 2 wheels
Front axle	Suspended with levelling	Suspended with levelling	Suspended with levelling
Rear axle	Swinging	Swinging	Swinging
Service braking	Oil bath with servo brake on front and rear axle with double hydraulic system	Oil bath with servo brake on front and rear axle with double hydraulic system	Oil bath with servo brake on front and rear axle with double hydraulic system
Parking braking	Negative actuation with electronic control	Negative actuation with electronic control	Negative actuation with electronic control

## HYDRAULIC SYSTEM

Vehicle model	AGRI MAX 50.8 POWER X2	AGRI MAX 65.8 POWER X2	AGRI MAX 60.9 POWER X2
Hydraulic pump type	Piston pump with variable flow rate for power steering and movements. Gear pumps for Fan Drive with fan reversal.	Piston pump with variable flow rate for power steering and movements. Gear pumps for Fan Drive with fan reversal.	Piston pump with variable flow rate for power steering and movements. Gear pumps for Fan Drive with fan reversal.
Hydraulic pump capacity	80.6 gal/min (305 l/min)	80.6 gal/min (305 l/min)	80.6 gal/min (305 l/min)
Max. operating pressure	3771 psi (26 MPa)	3771 psi (26 MPa)	3771 psi (26 MPa)
Distributor control	4 in 1 proportional electrical Joystick with FNR	4 in 1 proportional electrical Joystick with FNR	4 in 1 proportional electrical Joystick with FNR
Distributor type	Hydraulic in 4 sections with "Load Sensing" proportional electric control with "Flow Sharing", 4 simultaneous movements with independent maximum speed setting of each movement, continuous oil function on hydraulic sockets.	Hydraulic in 4 sections with "Load Sensing" proportional electric control with "Flow Sharing", 4 simultaneous movements with independent maximum speed setting of each movement, continuous oil function on hydraulic sockets.	Hydraulic in 4 sections with "Load Sensing" proportional electric control with "Flow Sharing", 4 simultaneous movements with independent maximum speed setting of each movement, continuous oil function on hydraulic sockets.

## FILLING

Vehicle model	AGRI MAX 50.8 POWER X2	AGRI MAX 65.8 POWER X2	AGRI MAX 60.9 POWER X2
Hydraulic system (total)	44.91 gal (170 l)	44.91 gal (170 l)	44.91 gal (170 l)
Diesel tank	46.23 gal (175 l)	46.23 gal (175 l)	46.23 gal (175 l)
AdBlue tank	7.13 gal (27 l)	7.13 gal (27 l)	7.13 gal (27 l)

## TOWING CAPACITY

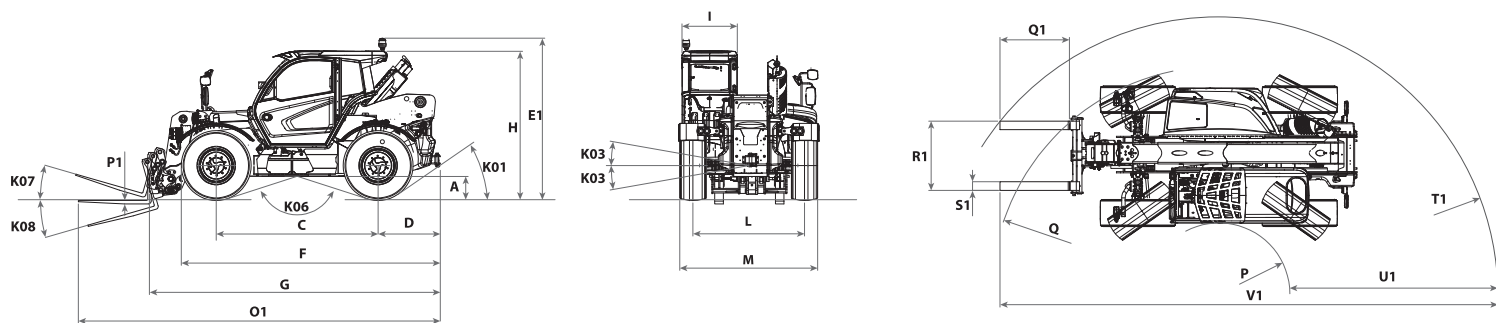
Vehicle model	AGRI MAX 50.8 POWER X2	AGRI MAX 65.8 POWER X2	AGRI MAX 60.9 POWER X2
Unbraked trailer	7716 lb (3500 kg)	7716 lb (3500 kg)	7716 lb (3500 kg)
Inertia braking	17637 lb (8000 kg)	17637 lb (8000 kg)	17637 lb (8000 kg)
Hydraulic/pneumatic braking	55116 lb (25000 kg)	55116 lb (25000 kg)	55116 lb (25000 kg)

## TYRES

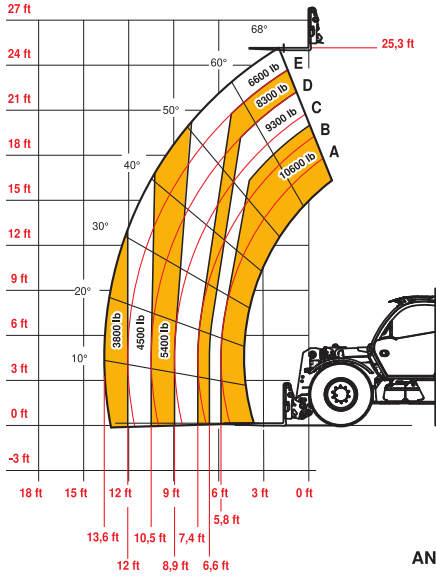
Vehicle model	AGRI MAX 50.8 POWER X2	AGRI MAX 65.8 POWER X2	AGRI MAX 60.9 POWER X2
Standard tires	500/70 R24	500/70 R24	500/70 R24

## DIMENSIONS

Vehicle model	AGRI MAX 50.8 POWER X2	AGRI MAX 65.8 POWER X2	AGRI MAX 60.9 POWER X2
A	20.0 in (508 mm)	20.0 in (508 mm)	20.0 in (508 mm)
C	112.2 in (2850 mm)	112.2 in (2850 mm)	112.2 in (2850 mm)
D	49.8 in (1266 mm)	49.8 in (1266 mm)	49.8 in (1266 mm)
E1	111.9 in (2841 mm)	111.9 in (2841 mm)	111.9 in (2841 mm)
F	187.7 in (4767 mm)	187.7 in (4767 mm)	187.7 in (4767 mm)
G	209.5 in (5321 mm)	209.5 in (5321 mm)	223.3 in (5671 mm)
H	102.7 in (2608 mm)	102.7 in (2608 mm)	102.7 in (2608 mm)
I	37.8 in (960 mm)	37.8 in (960 mm)	37.8 in (960 mm)
L	76.8 in (1950 mm)	76.8 in (1950 mm)	76.8 in (1950 mm)
K01	37°	37°	37°
K03	10°	10°	10°
K06	136°	136°	136°
K07	16°	16°	16°
K08	131°	131°	131°
M	96.9 in (2461 mm)	96.9 in (2461 mm)	96.9 in (2461 mm)
O1	259.9 in (6602 mm)	259.9 in (6602 mm)	273.7 in (6952 mm)
P	53.1 in (1348 mm)	53.1 in (1348 mm)	53.1 in (1348 mm)
P1	2.4 in (60 mm)	2.4 in (60 mm)	2.4 in (60 mm)
Q	161.4 in (4100 mm)	161.4 in (4100 mm)	161.4 in (4100 mm)
Q1	47.2 in (1200 mm)	47.2 in (1200 mm)	47.2 in (1200 mm)
R1	47.2 in (1200 mm)	47.2 in (1200 mm)	47.2 in (1200 mm)
S1	5.9 in (150 mm)	5.9 in (150 mm)	5.9 in (150 mm)
T1	193.7 in (4919 mm)	193.7 in (4919 mm)	193.7 in (4919 mm)
U1	140.6 in (3571 mm)	140.6 in (3571 mm)	154.4 in (3921 mm)
V1	343.3 in (8720 mm)	343.3 in (8720 mm)	357.1 in (9070 mm)



MAX  
10600 lb



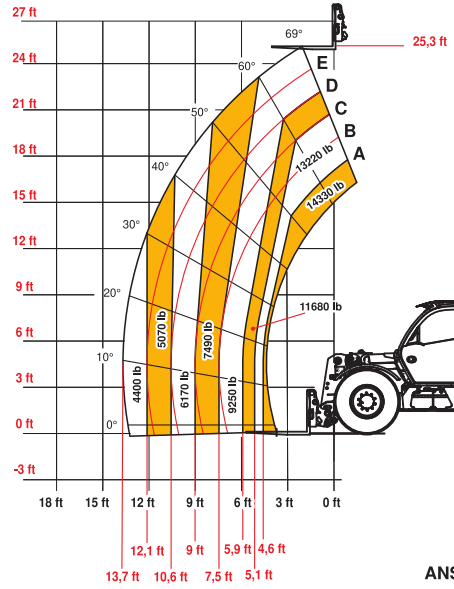
DOC10000945



ANSI B56.6

50.8

MAX  
14330 lb



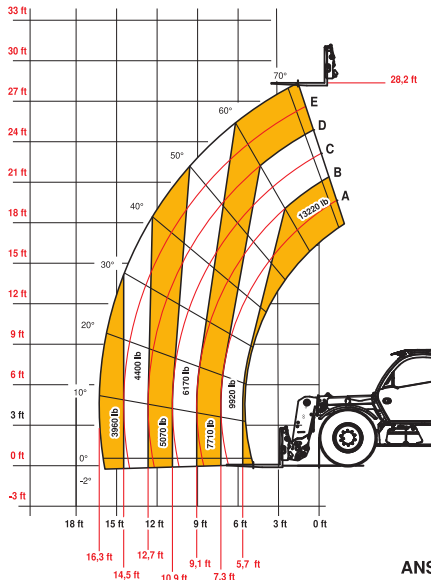
DOC10000947



ANSI B56.6

65.8

MAX  
13220 lb



DOC10000949



ANSI B56.6

60.9