

DIECI
AMERICAS
TELEHANDLERS



APOLLO SMART

20.4



dieci-americas.com

PERFORMANCE

| | |
|--|---------------------|
| Vehicle model | APOLLO 20.4 SMART |
| Maximum capacity | 4400 lb (1996 kg) |
| Maximum lifting height | 14.3 ft (4.35 m) |
| Maximum horizontal extension | 8.4 ft (2.6 m) |
| Fork swiveling angle | 133° |
| Pull-out force | 7565 lbf (3365 daN) |
| Towing force | 7142 lbf (3177 daN) |
| Unladen weight | 9480 lb (4300 kg) |
| Maximum climb angle | 56 % |
| Max speed (referred to wheels with maximum permitted diameter) | 15.5 mph (25 km/h) |

BOOM

| | |
|------------------------|-------------------|
| Vehicle model | APOLLO 20.4 SMART |
| Getting off the basket | 5 s |
| Lifting | 7 s |
| Extension | 6 s |
| Retraction | 4 s |
| Forward swiveling | 4 s |
| Reverse swiveling | 3 s |

ENGINE

| | |
|-------------------------------------|---|
| Vehicle model | APOLLO 20.4 SMART |
| Brand | Kubota |
| Nominal power | 50 HP (37 kW) |
| @rpm | 2700 rpm |
| Operation | 4-stroke |
| Injection | Electronic, Common Rail |
| Number and arrangement of cylinders | 3, Vertical in line |
| Displacement | 111 in ³ (1826 cm ³) |
| Consumption | 398.09 lb/Hp h (242 g/kWh) |
| @rpm | 2700 rpm |
| Emission standards | Stage V |
| Exhaust gas treatment | Catalyst + Particulate filter (DOC+DPF) |
| Cooling system | Liquid |
| Intake | Turbo compressor |
| Air filter | Air pre-heating and air pre-filtering with dust separator |

TRANSMISSION

| | |
|-------------------|---|
| Vehicle model | APOLLO 20.4 SMART |
| Transmission type | Single speed Hydrostatic transmission with variable displacement pump |
| Hydraulic motor | Hydrostatic with continuous automatic adjustment |
| Reversal | Electro-Hydraulic |
| Inching | With hydraulic pedal for controlled forward movement |

DIFFERENTIAL AXLES

| | |
|------------------|---|
| Vehicle model | APOLLO 20.4 SMART |
| Type of axles | 2 steering, with 4 epicycloidal reduction gears |
| Type of steering | 4 wheels / transversal / 2 wheels |
| Front axle | Rigid |
| Rear axle | Swinging |
| Service braking | Dry disk on rear axle |
| Parking braking | Manually activated on brake caliper through cable |

HYDRAULIC SYSTEM

| | |
|-------------------------|--|
| Vehicle model | APOLLO 20.4 SMART |
| Hydraulic pump type | Gear pump for power steering and movements |
| Hydraulic pump capacity | 26.7 gal/min (101 l/min) |
| Max. operating pressure | 3626 psi (25 MPa) |
| Distributor control | Proportional 4in1 Joystick |
| Distributor type | Single-lever hydraulic proportional |

FILLING

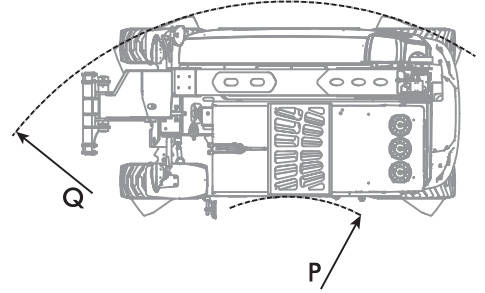
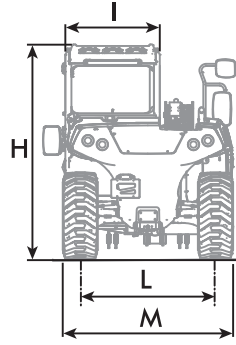
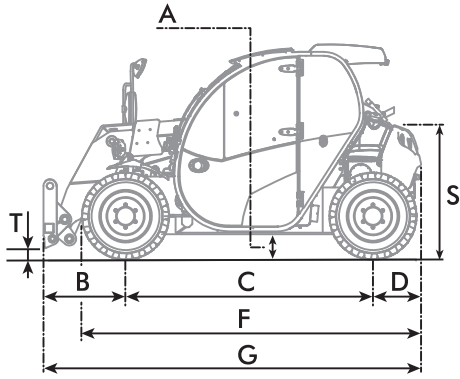
| | |
|--------------------------|-------------------|
| Vehicle model | APOLLO 20.4 SMART |
| Hydraulic system (total) | 18.49 gal (70 l) |
| Diesel tank | 15.85 gal (60 l) |

TYRES

| | |
|----------------|-------------------|
| Vehicle model | APOLLO 20.4 SMART |
| Standard tires | 12x16.5" |

DIMENSIONS

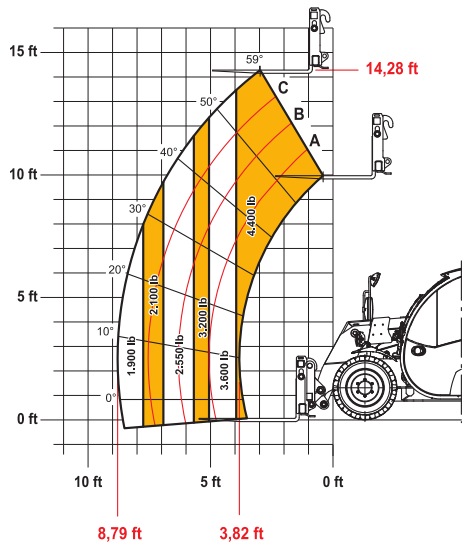
| | |
|---------------|--------------------|
| Vehicle model | APOLLO 20.4 SMART |
| A | 7.8 in (199 mm) |
| B | 32.6 in (827 mm) |
| C | 88.6 in (2250 mm) |
| D | 18.0 in (458 mm) |
| F | 134.1 in (3405 mm) |
| G | 139.1 in (3534 mm) |
| H | 75.9 in (1929 mm) |
| I | 33.9 in (860 mm) |
| L | 48.4 in (1230 mm) |
| M | 61.0 in (1550 mm) |
| P | 52.8 in (1340 mm) |
| Q | 121.1 in (3075 mm) |
| S | 57.8 in (1469 mm) |
| T | 7.9 in (200 mm) |



MAX
4400 lb



DOC10001434



ANSI B56.6

20.4