

DIECI
AMERICAS
TELEHANDLERS



DEDALUS

30.7 | 34.7 | 30.9 | 32.9



dieci-americas.com

PERFORMANCE

Vehicle model	DEDALUS 30.7 - GD	DEDALUS 34.7 - GD	DEDALUS 30.9 - GD	DEDALUS 32.9 - GD
Maximum capacity	6600 lb (2994 kg)	7550 lb (3425 kg)	6600 lb (2994 kg)	7000 lb (3175 kg)
Maximum lifting height	20.8 ft (6.35 m)	20.8 ft (6.35 m)	28.4 ft (8.65 m)	28.4 ft (8.65 m)
Maximum horizontal extension	12.1 ft (3.7 m)	12.1 ft (3.7 m)	18.8 ft (5.7 m)	18.7 ft (5.7 m)
Fork swiveling angle	146°	146°	146°	146°
Pull-out force	13039 lbf (5800 daN)	13039 lbf (5800 daN)	13039 lbf (5800 daN)	13039 lbf (5800 daN)
Towing force	13039 lbf (5800 daN)	13039 lbf (5800 daN)	13039 lbf (5800 daN)	13039 lbf (5800 daN)
Unladen weight	14771 lb (6700 kg)	15322 lb (6950 kg)	15168 lb (6880 kg)	15543 lb (7050 kg)
Maximum climb angle	40 %	40 %	40 %	40 %
Max speed (referred to wheels with maximum permitted diameter)	22.4 mph (36 km/h)	22.4 mph (36 km/h)	22.4 mph (36 km/h)	22.4 mph (36 km/h)

BOOM

Vehicle model	DEDALUS 30.7 - GD	DEDALUS 34.7 - GD	DEDALUS 30.9 - GD	DEDALUS 32.9 - GD
Getting off the basket	4.2 s	4.2 s	4.6 s	4.6 s
Lifting	8.2 s	8.2 s	8.9 s	8.9 s
Extension	6.2 s	6.2 s	5.7 s	5.7 s
Retraction	3.5 s	3.5 s	3.2 s	3.2 s
Forward swiveling	3.5 s	3.5 s	3.5 s	3.5 s
Reverse swiveling	2 s	2 s	1.9 s	1.9 s

ENGINE

Vehicle model	DEDALUS 30.7 - GD	DEDALUS 34.7 - GD	DEDALUS 30.9 - GD	DEDALUS 32.9 - GD
Brand	Kubota	Kubota	Kubota	Kubota
Nominal power	74 HP (55.4 kW)	74 HP (55.4 kW)	74 HP (55.4 kW)	74 HP (55.4 kW)
@rpm	2600 rpm	2600 rpm	2600 rpm	2600 rpm
Peak power	74 HP (55.4 kW)	74 HP (55.4 kW)	74 HP (55.4 kW)	74 HP (55.4 kW)
@rpm	2600 rpm	2600 rpm	2600 rpm	2600 rpm
Operation	4-stroke	4-stroke	4-stroke	4-stroke
Injection	Electronic, Common Rail	Electronic, Common Rail	Electronic, Common Rail	Electronic, Common Rail
Number and arrangement of cylinders	4, Vertical in line	4, Vertical in line	4, Vertical in line	4, Vertical in line
Displacement	203 in ³ (3331 cm ³)	203 in ³ (3331 cm ³)	203 in ³ (3331 cm ³)	203 in ³ (3331 cm ³)
Consumption	375.06 lb/Hp h (228 g/kWh)	375.06 lb/Hp h (228 g/kWh)	375.06 lb/Hp h (228 g/kWh)	375.06 lb/Hp h (228 g/kWh)
@rpm	2600 rpm	2600 rpm	2600 rpm	2600 rpm
Emission standards	Stage V/Tier 4f	Stage V/Tier 4f	Stage V/Tier 4f	Stage V/Tier 4f
Exhaust gas treatment	DOC+DPF	DOC+DPF	DOC+DPF	DOC+DPF
Cooling system	Liquid	Liquid	Liquid	Liquid
Intake	Turbocharger after-cooler	Turbocharger after-cooler	Turbocharger after-cooler	Turbocharger after-cooler
Air filter	Air pre-heating and air pre-filtering with dust separator	Air pre-heating and air pre-filtering with dust separator	Air pre-heating and air pre-filtering with dust separator	Air pre-heating and air pre-filtering with dust separator

TRANSMISSION

Vehicle model	DEDALUS 30.7 - GD	DEDALUS 34.7 - GD	DEDALUS 30.9 - GD	DEDALUS 32.9 - GD
Transmission type	Hydrostatic with variable displacement pump	Hydrostatic with variable displacement pump	Hydrostatic with variable displacement pump	Hydrostatic with variable displacement pump
Hydraulic motor	Hydrostatic with continuous automatic adjustment	Hydrostatic with continuous automatic adjustment	Hydrostatic with continuous automatic adjustment	Hydrostatic with continuous automatic adjustment
Reversal	With electronic control operated with vehicle in motion	With electronic control operated with vehicle in motion	With electronic control operated with vehicle in motion	With electronic control operated with vehicle in motion
Inching	With electronic pedal for controlled forward movement	With electronic pedal for controlled forward movement	With electronic pedal for controlled forward movement	With electronic pedal for controlled forward movement
Gearbox	Servo-controlled 2-speed	Servo-controlled 2-speed	Servo-controlled 2-speed	Servo-controlled 2-speed

DIFFERENTIAL AXLES

Vehicle model	DEDALUS 30.7 - GD	DEDALUS 34.7 - GD	DEDALUS 30.9 - GD	DEDALUS 32.9 - GD
Type of axles	2 steering, with 4 epicycloidal reduction gears	2 steering, with 4 epicycloidal reduction gears	2 steering, with 4 epicycloidal reduction gears	2 steering, with 4 epicycloidal reduction gears
Type of steering	4 wheels / transversal / 2 wheels	4 wheels / transversal / 2 wheels	4 wheels / transversal / 2 wheels	4 wheels / transversal / 2 wheels
Front axle	Rigid	Rigid	Rigid	Rigid
Rear axle	Swinging	Swinging	Swinging	Swinging
Service braking	Oil bath with servo brake on front and rear axle with double hydraulic system	Oil bath with servo brake on front and rear axle with double hydraulic system	Oil bath with servo brake on front and rear axle with double hydraulic system	Oil bath with servo brake on front and rear axle with double hydraulic system
Parking braking	Negative actuation with electrical control	Negative actuation with electrical control	Negative actuation with electrical control	Negative actuation with electrical control

HYDRAULIC SYSTEM

Vehicle model	DEDALUS 30.7 - GD	DEDALUS 34.7 - GD	DEDALUS 30.9 - GD	DEDALUS 32.9 - GD
Hydraulic pump type	Gear pump for power steering and movements	Gear pump for power steering and movements	Gear pump for power steering and movements	Gear pump for power steering and movements
Hydraulic pump capacity	26.4 gal/min (100 l/min)	26.4 gal/min (100 l/min)	26.4 gal/min (100 l/min)	26.4 gal/min (100 l/min)
Max. operating pressure	3553 psi (24.5 MPa)	3727 psi (25.7 MPa)	3553 psi (24.5 MPa)	3727 psi (25.7 MPa)
Distributor control	Proportional 4 in 1 Joystick with FNR	Proportional 4 in 1 Joystick with FNR	Proportional 4 in 1 Joystick with FNR	Proportional 4 in 1 Joystick with FNR
Distributor type	Proportional 4 in 1 joystick hydraulic distributor with electro-hydraulic servocontrol. Open center services	Proportional 4 in 1 joystick hydraulic distributor with electro-hydraulic servocontrol. Open center services	Proportional 4 in 1 joystick hydraulic distributor with electro-hydraulic servocontrol. Open center services	Proportional 4 in 1 joystick hydraulic distributor with electro-hydraulic servocontrol. Open center services

FILLING

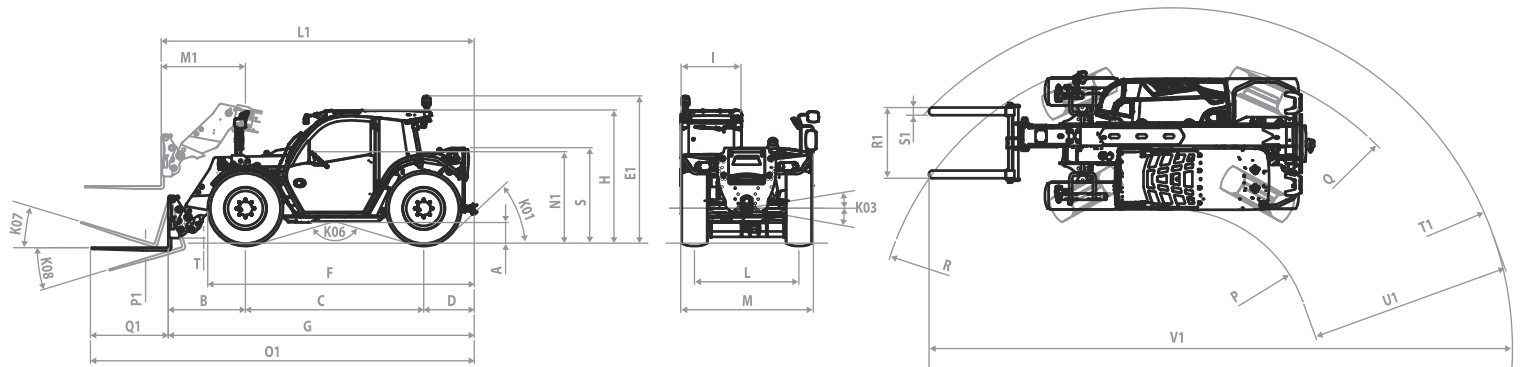
Vehicle model	DEDALUS 30.7 - GD	DEDALUS 34.7 - GD	DEDALUS 30.9 - GD	DEDALUS 32.9 - GD
Hydraulic system (total)	36.98 gal (140 l)	36.98 gal (140 l)	36.98 gal (140 l)	36.98 gal (140 l)
Diesel tank	26.42 gal (100 l)	26.42 gal (100 l)	26.42 gal (100 l)	26.42 gal (100 l)

TYRES

Vehicle model	DEDALUS 30.7 - GD	DEDALUS 34.7 - GD	DEDALUS 30.9 - GD	DEDALUS 32.9 - GD
Standard tires	405/70-20"	405/70-20"	405/70-20"	405/70-20"

DIMENSIONS

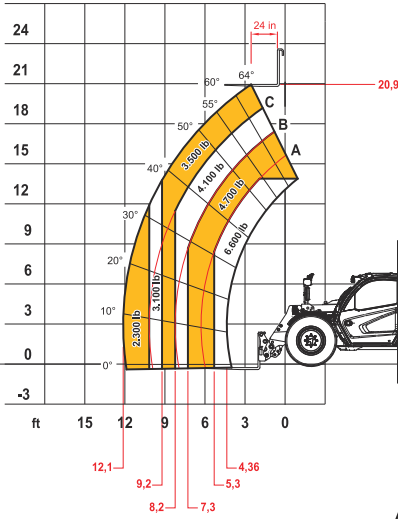
Vehicle model	DEDALUS 30.7 - GD	DEDALUS 34.7 - GD	DEDALUS 30.9 - GD	DEDALUS 32.9 - GD
A	10.6 in (270 mm)	10.6 in (270 mm)	10.6 in (270 mm)	10.6 in (270 mm)
B	47.2 in (1200 mm)	47.2 in (1200 mm)	48.8 in (1240 mm)	48.8 in (1240 mm)
C	111.4 in (2830 mm)	111.4 in (2830 mm)	111.4 in (2830 mm)	111.4 in (2830 mm)
D	30.9 in (785 mm)	30.9 in (785 mm)	30.9 in (785 mm)	30.9 in (785 mm)
E1	92.5 in (2350 mm)	99.2 in (2520 mm)	92.5 in (2350 mm)	99.2 in (2520 mm)
F	163.4 in (4150 mm)	163.4 in (4150 mm)	163.4 in (4150 mm)	163.4 in (4150 mm)
G	189.6 in (4815 mm)	189.6 in (4815 mm)	191.1 in (4855 mm)	191.1 in (4855 mm)
H	80.3 in (2040 mm)	87.0 in (2210 mm)	80.3 in (2040 mm)	87.0 in (2210 mm)
I	38.0 in (966 mm)	38.0 in (966 mm)	38.0 in (966 mm)	38.0 in (966 mm)
L	67.3 in (1710 mm)	67.3 in (1710 mm)	67.3 in (1710 mm)	67.3 in (1710 mm)
L1	194.5 in (4940 mm)	194.5 in (4940 mm)	195.3 in (4960 mm)	195.3 in (4960 mm)
K01	36°	36°	36°	36°
K03	15°	16°	15°	16°
K06	154°	154°	154°	154°
K07	18°	18°	18°	18°
K08	129°	129°	129°	129°
M	83.5 in (2120 mm)	83.5 in (2120 mm)	83.5 in (2120 mm)	83.5 in (2120 mm)
M1	52.1 in (1324 mm)	52.1 in (1324 mm)	52.9 in (1344 mm)	52.9 in (1344 mm)
N1	54.4 in (1382 mm)	61.2 in (1555 mm)	54.4 in (1382 mm)	61.2 in (1555 mm)
O1	236.8 in (6015 mm)	236.8 in (6015 mm)	238.4 in (6055 mm)	238.4 in (6055 mm)
P	65.5 in (1664 mm)	65.5 in (1664 mm)	65.5 in (1664 mm)	65.5 in (1664 mm)
P1	1.8 in (45 mm)	1.8 in (45 mm)	1.8 in (45 mm)	1.8 in (45 mm)
Q	166.9 in (4240 mm)	166.9 in (4240 mm)	166.9 in (4240 mm)	166.9 in (4240 mm)
Q1	47.2 in (1200 mm)	47.2 in (1200 mm)	47.2 in (1200 mm)	47.2 in (1200 mm)
R	165.9 in (4214 mm)	165.9 in (4214 mm)	165.9 in (4214 mm)	165.9 in (4214 mm)
R1	43.3 in (1100 mm)	43.3 in (1100 mm)	43.3 in (1100 mm)	43.3 in (1100 mm)
S	56.9 in (1445 mm)	56.9 in (1445 mm)	56.9 in (1445 mm)	56.9 in (1445 mm)
S1	4.7 in (120 mm)	4.7 in (120 mm)	4.7 in (120 mm)	4.7 in (120 mm)
T	1.2 in (30 mm)	1.2 in (30 mm)	4.5 in (115 mm)	4.5 in (115 mm)
T1	196.9 in (5000 mm)	196.9 in (5000 mm)	197.8 in (5025 mm)	197.8 in (5025 mm)
U1	131.3 in (3335 mm)	131.3 in (3335 mm)	132.3 in (3361 mm)	132.3 in (3361 mm)
V1	347.1 in (8817 mm)	347.1 in (8817 mm)	349.6 in (8880 mm)	349.6 in (8880 mm)



MAX
6600 lb



DOC10001837

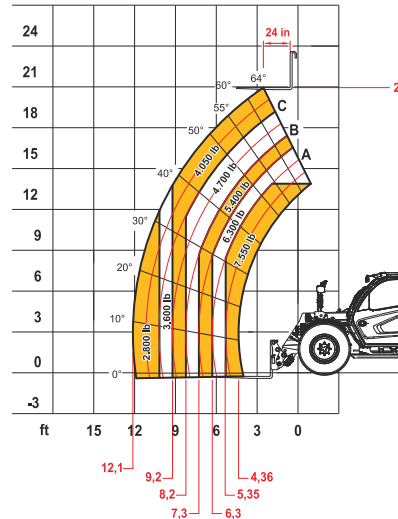


30.7

MAX
7550 lb



DOC10001836

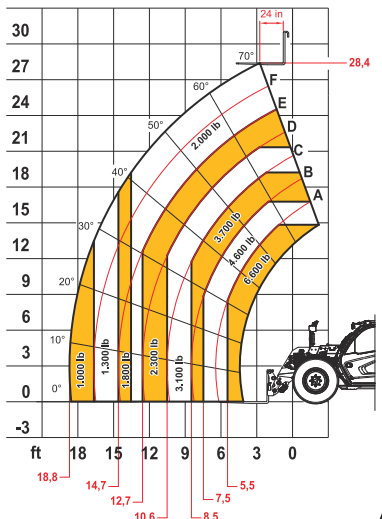


34.7

MAX
6600 lb



DOC10001838

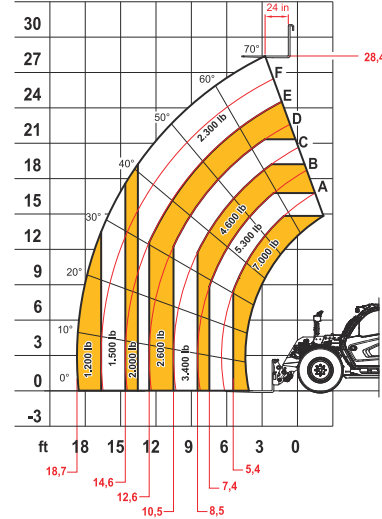


30.9

MAX
7000 lb



DOC10001839



32.9