

APOLLO

26.6



DIECI



CONTINUOUS EVOLUTION

Constantly ahead in terms of technological solutions, Dieci leads the evolutionary process of its vehicles, raising its standards with the **New Construction Range**.

Reliability, efficiency and safety are growing through the introduction of new technologies and instrumentation that exploit **technically advanced solutions**.

New stage V engines, **more intuitive and functional controls**, evolved diagnostics, **new chassis** and **new transmissions** bring tomorrow's telehandlers into the field today.

Agile in small spaces, precise in all movements, **Apollo** is the ideal telehandler for working in tight spaces, with its perfect combination of **great power** and **extreme maneuverability**.

APOLLO

26.6

FLUID AND PRECISE

Unrivalled fluidity of movement and millimetric precision in small movements.

Pneumatic suspension on the boom reduces oscillations to a minimum.

The 3 steering modes - front, concentric, transverse - allow smooth driving even with the heaviest loads.



26.6 APOLLO

- Height 5,68 m
- Capacity 2,6 t





SAFE AND VERSATILE

The vehicle's versatility is multiplied by automation, while safety remains a top priority, in compliance with all applicable regulations.

- **Arm too high** function: travel speed limited automatically when the boom is raised.
- **Soft Motion** system: boom movements more easy to control, with reduced movement speed when using the basket and in pre-alarm conditions.
- EN15000 **anti-tipping system**: aggravating movements blocked in the event of overload and load level always in evidence.
- **Automatic equipment recognition**: the vehicle automatically configures itself to recognize and attach the **various equipment** needed to carry out **all the work required by a construction site** (forks, loaders, lifting hooks, jibs with winches, grippers, baskets, mixing buckets, concrete ladles, sweepers, snowplow blades).
- **Approved for use with man-basket** without outriggers or solid tires.



ROBUST RELIABILITY

The New Dieci Construction Range is even more reliable, with a series of interventions that increase the robustness of the machines.

- **Reinforced High-Strength Steel booms** with increased swinging force.
- Double-cylinder, double-action **hydraulic accessories lock** for maximum stability.
- **Rops and Fops Cab**: operator protection guaranteed thanks to the dimensional stability of the cab.
- The **sturdy frame** provides **total rigidity and safety**, even under the most demanding conditions.

EASY AND INTUITIVE

- **Travel direction** and **boom** are controlled exclusively by the **new single-lever CAN-bus joystick**, which also incorporates the **direction selector** (reverse shuttle - FNR) for **intuitive** and comfortable **proportional control**.
- All vehicle control functions are handled by a **single control unit** that measures the best working parameters through an advanced diagnostic system.
- **Single-lever Proportional and Flow Sharing** distributors: more simultaneous movements and better response to commands, for smoother and more effective work.
- **Continuous oil function** as standard.



TOTAL COMFORT

Comfort is the first thing you notice on board Apollo. The meticulous study of the **controls arrangement makes the vehicle use simple, easy and comfortable.**

- **Total comfort** through **acoustic soundproofing**, adjustable steering wheel, radio, sun screens, cushioned and ergonomic suspension seat.
- **New 7" display**: clear and immediate viewing of the information needed to operate the vehicle.
- The **semi-automatic air conditioning system** allows perfect air circulation inside the cabin.
- **LED work lights** on the cab and on the boom, for maximum visibility even at night.
- Rear-view mirrors that allow all-round visibility of the vehicle and **optional cameras** for challenging maneuvers.



TECHNOLOGICAL EFFICIENCY

- **Single-speed hydrostatic transmission**: best speed-power ratio maintained in all working conditions.
- Electronic accelerator and Inching pedal: **accurate and controlled movement at any speed**, even with the boom at full power.
- **Creeper function**: adjustable forward speed with the accelerator pedal, constant engine speed and oil flow rate to effectively use equipment such as sweepers or straw spreaders.

TECHNICAL DATA

PERFORMANCE

Vehicle model	APOLLO 26.6
Maximum capacity	2600 kg (5732 lb)
Maximum lifting height	5,68 m (18,6 ft)
Maximum horizontal extension	3,2 m (10,5 ft)
Fork swiveling angle	129 °
Pull-out force	5510 daN (12387 lbf)
Towing force	4400 daN (9892 lbf)
Maximum climb angle	40 %
Unladen weight	5100 kg (11244 lb)
Max speed (referred to wheels with maximum permitted diameter)	30 km/h (18,6 mph)

ENGINE

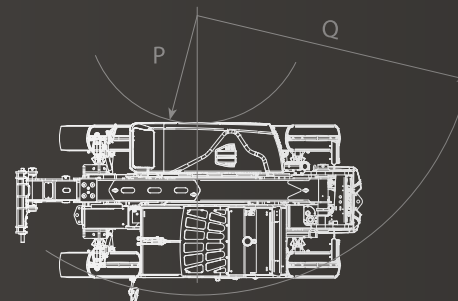
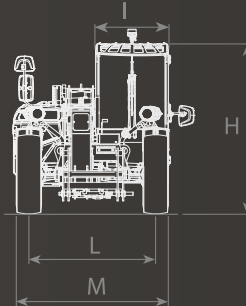
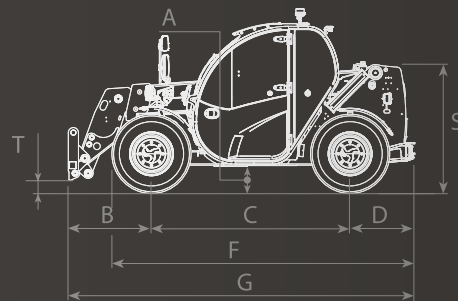
Vehicle model	APOLLO 26.6
Brand	YANMAR
Nominal power	53,7 kW (72 HP)
@rpm	2500 rpm
Displacement	3319 cm ³ (203 in ³)
Emission standard	Stage V/Tier 4f
Exhaust gas treatment	DOC+DPF

HYDRAULIC SYSTEM

Vehicle model	APOLLO 26.6
Hydraulic pump capacity	80 l/min (21,1 gal/min)
Max. operating pressure	23 MPa (3336 psi)

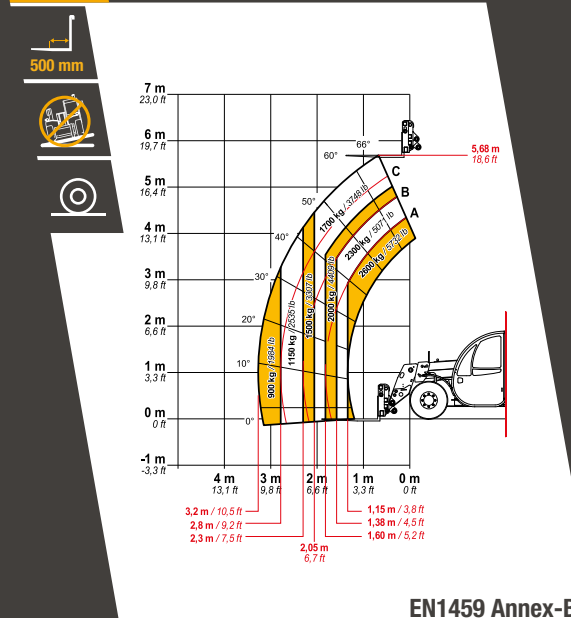
DIMENSIONS

Vehicle model	APOLLO 26.6
A	280 mm (11,0 in)
B	985 mm (38,8 in)
C	2350 mm (92,5 in)
D	765 mm (30,1 in)
F	3585 mm (141,1 in)
G	4100 mm (161,4 in)
H	1980 mm (78,0 in)
I	860 mm (33,9 in)
L	1500 mm (59,1 in)
M	1860 mm (73,2 in)
P	1330 mm (52,4 in)
Q	3400 mm (133,9 in)
S	1485 mm (58,5 in)
T	110 mm (4,3 in)



26.6

max 2.600 kg



SCAN THE QR CODE FOR COMPLETE AND UPDATED DATA



CLICK FOR COMPLETE AND UPDATED DATA





DTS

The **Dieci Telematic System** allows the Dieci service team to interact with the vehicle remotely. It telematically collects and sends operational data for easier and more timely **monitoring, diagnostics and maintenance**. **Vehicle and operators protected from theft and accidents thanks to GSM and GPS connections.**

DIECI SERVICE

General headquarters in Emilia Romagna - over 135,000 square meters and about 400 people employed - and 3 branches in Germany, United Kingdom, France: Dieci is present in over 70 Countries with **an extensive network of over 400 dealers** and authorized service centers.

Dieci Service, our global technical assistance service, is developed on this basis: our customers are assisted directly by specialized technicians and every request is satisfied in a very short time. Dieci Service, **within a few hours, can provide interventions and spare parts all over the world.**

Visit www.dieci.com to find the dealer closest to you.

400 DEALERS

70 COUNTRIES

3 BRANCHES



APOLLO

26.6

INVICTO

DIECI

www.dieci.com



Ph: masterservicelorenz.it