

# AGRI PLUS

42.7 | 40.10



**DIECI**





## CONTINUOUS EVOLUTION

Constantly ahead in terms of technological solutions, Dieci continues the evolutionary process of its vehicles, raising the standards even higher with the **New Agriculture Range**.

**Reliability, efficiency and comfort** have reached unprecedented levels through improved design and instrumentation and the introduction of **patented, futuristic innovations**.

New **Stage V** engines on the whole range, **360° suspended cab** and **new interior, more intuitive and functional diagnostics and controls, new chassis** and **new transmissions**, bring tomorrow's agricultural telehandlers into the field today.

The **AGRI PLUS** top-level Agri machines range has been redesigned on a human scale: with the new futuristic cab signed by Giugiaro Design and important interventions on comfort and performance. We have provided farmers with a **top-quality telehandler**.



# AGRI PLUS

NEW MODELS 42.7 | 40.10

## PURE TECHNOLOGY

There has been a significant **technological evolution** in the Agri Plus family.

A **new boom** offers advanced functions and increased performance.

New **high-tech electronic control** with completely new display and telematics. Mini finger and VDC.



**42.7 AGRI PLUS**  
↑ Maximum lifting: 7.2 m  
⚖ Capacity: 4.2 t

**40.10 AGRI PLUS**  
↑ Maximum lifting: 9.7 m  
⚖ Capacity: 4 t





# SUSPENDED CAB

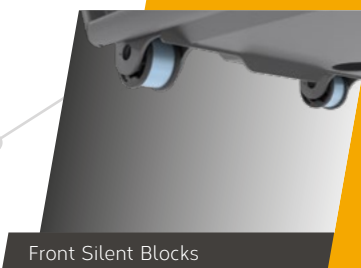


EXCLUSIVE DIECI

## ZERO SHOCK SYSTEM

**Cab shock-absorbing system**, unique in the telehandler sector, capable of effectively dampening the most annoying oscillations on the roughest terrain.

The **hydraulic suspension of the cab** effectively reduces oscillations and offers a high driving comfort through **4 supports that absorb impacts and jolts in every direction**: lateral, vertical, rear and front.



Front Silent Blocks



Rear hydraulic shock absorbers







# TOTAL COMFORT

## MORE VALUE

- Cab by Giugiaro Design
- Refined soft-touch interiors, derived from the automotive industry

## MORE LEGROOM

- Best-in-class ergonomics and accessibility
- More space for the operator's legs

## MORE COMFORT

- Adjustable steering column and armrest
- Heated seat, 3 suspension system options
- Soundproofing roof, dashboard and mat
- Quick demisting of the windows

## MORE VISIBILITY

- Large windows
- Integrated LED worklights - Headlights on the perimeter, on the boom and on the boom head
- Up to 3 wireless cameras

## MORE SMART

- New display
  - Completely redesigned graphics
  - Integrated anti-tip indicator
  - Multilingual
  - Bonded display for perfect viewing from all angles
  - Instant-on
  - Automatic brightness
  - Full-screen rear camera
- Mini finger: rear sockets control
- VDC controller: browsing and parameters setting with a single control
- Thoroughly revamped telematics system with improved graphics





# ROBUST RELIABILITY

- Reinforced High-Strength Steel boom with increased swinging force, extension cylinder with closing shock absorber
- Stronger, more robust and more stable chassis
- Double-cylinder, double-action hydraulic accessories lock for maximum stability
- Transverse levelling device as standard\*

\*40.10





# SINGLE CONTROL

- **Boom movements and travel direction** are controlled uniquely by the **electronic joystick**, which integrates the **shuttle control (FNR)**, for fast, intuitive and comfortable control.
- All machine control functions are handled by a new **Electronic Control Unit** that monitors the best working parameters while optimizing boom movements.
- The **slowdowns on the movement end of stroke** improve operator comfort and extend component life.
- **Load Sensing - Flow Sharing hydraulic distributors**: these two technologies ensure more simultaneous movements and greater response to controls, for more effective and safe work.
- New safety features allow **maximum performance without risk**.
- **Continuous oil function** as standard.





# VARIO SYSTEM TRANSMISSION

## ■ 4 Driving modes

- **Normal:** 0-40km/h without gear shifting by the operator, for maximum performance at all times
- **Eco:** 0-40km/h without gear shifting by the operator, for lower consumption and low noise emissions
- **Creeper:** engine rpm set independently of speed, for maximum accessory power even at slow travel speeds
- **Loader:** dedicated to heavy duty use at low speeds

■ **Integrated electronic control:** power, responsiveness and control in manoeuvres

■ **Wide speed range:** from 0 to 40 km/h with no need to change gear

■ **Cruise Control:** electronic accelerator and limiter

■ **Gear Lock:** shift lock in first gear, to handle challenging road routes







## STAGE V: FAST, ACCURATE AND ECOLOGICAL

Always attentive to environmental issues, Dieci has made a great effort to update the engines of the New Agriculture Range to **Stage V** regulations, implementing the DOC and SCRoF systems and the DPF filter to limit atmospheric emissions.

All this without reducing **power, reliability and high performance**: this is the spirit of the new engine that drives all the models of the AGRI PLUS family. A cutting-edge engine with a fully electronic control, to optimize **power output and efficiency**.

### HIGH PERFORMANCE

- A torque of 640 Nm at only 1500 rpm

### ELECTRONIC EVOLUTION

- Complete electronic control: optimized output and efficiency

### LONG AUTONOMY

- Top-of-range tank: 175 liters of fuel

### MINIMUM EMISSIONS

- **Stage V** system
- DOC+SCRoF catalysts
- 35 liter Urea tank



# ADVANCED TECHNOLOGY

## HIGH TECH BOOM

### • Advanced functions:

- **Shake:** repeated tilting movements at the end of the stroke to facilitate detachment of residual material from the bottom of the bucket
- **Wall:** load lifting along a vertical line with a single joystick movement to facilitate stacking
- **Memory:** stored boom position, to reach it again with a single click

## ENERGY SAVING SYSTEM

- Readiness and reactivity even when the vehicle is cold
- Precise and fast movements, even at high power

## AUTOMATIC COUPLING SYSTEM

- Tools recognition without manual operations: easier, maximum safety
- Immediate vehicle setting for different uses



## DTS

The **Dieci Telematic System** is the innovative telematic system that allows to interact with the vehicle remotely to geolocate it, monitor its operating parameters, measure its performance and limit its use.

By installing a high-tech control unit, the customer and the manufacturer can **connect to the vehicle in real time** from a computer or any mobile device and, through the **GSM and GPS networks**, discover where, if and how the machine is working, and **detect operating anomalies**, if any.

The operating data, collected via cloud, enable full **monitoring and diagnostics**. The support team and user can analyze the parameters directly, identify shortfalls in performance, and improve functionality or identify any maintenance operations required, thereby **optimizing costs** and ensuring **the vehicle and fleet are maintained in peak efficiency**.

The machine and its operators benefit from **active protection against theft and accident**: a notification is sent immediately if the vehicle leaves the predefined area. By setting a safe operating track, the operator is immediately alerted to any risk of impact or anomaly.

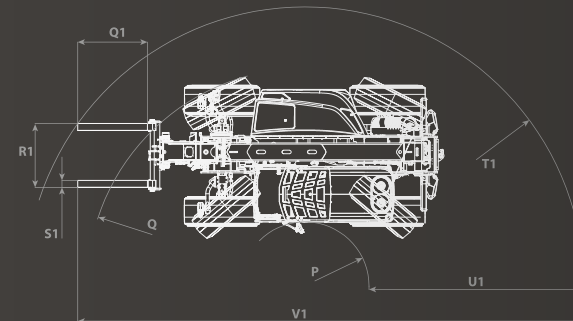
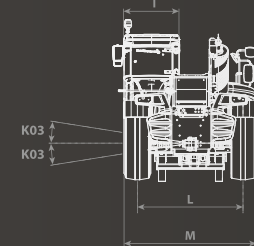
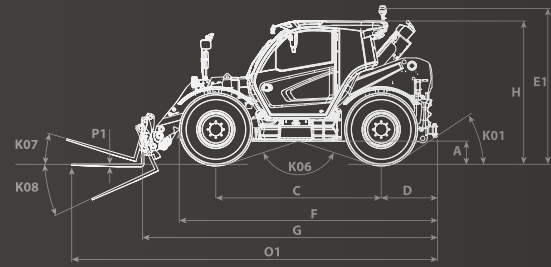


# TECHNICAL DATA

PERFORMANCE		
Vehicle model	AGRI PLUS 42.7 VS EVO2 - GD	AGRI PLUS 40.10 VS EVO2 - GD
Maximum capacity	4200 kg (9259 lb)	4000 kg (8818 lb)
Maximum lifting height	7,2 m (23,6 ft)	9,7 m (31,8 ft)
Unladen weight	8500 kg (18739 lb)	9180 kg (20238 lb)
Max speed (referred to wheels with maximum permitted diameter)	40 km/h (24,9 mph)	40 km/h (24,9 mph)

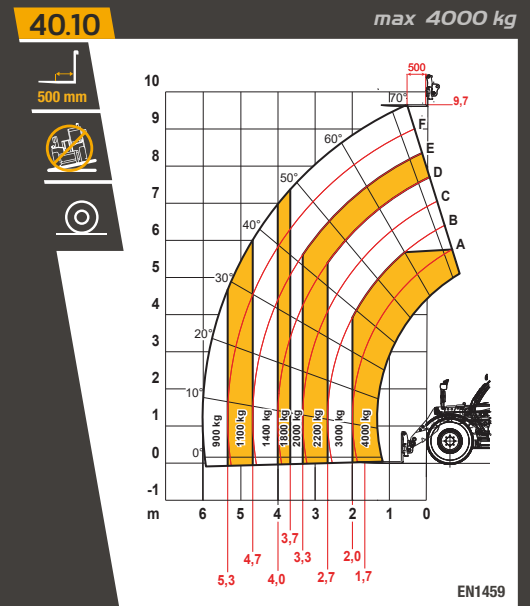
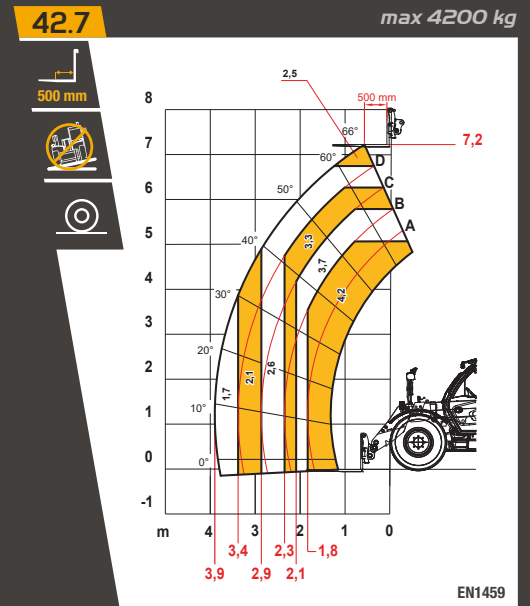
ENGINE		
Vehicle model	AGRI PLUS 42.7 VS EVO2 - GD	AGRI PLUS 40.10 VS EVO2 - GD
Brand	FPT	FPT
Nominal power	103 kW (138 HP)	103 kW (138 HP)
@rpm	2200 rpm	2200 rpm
Peak power	114 kW (153 HP)	114 kW (153 HP)
@rpm	1800 rpm	1800 rpm
Displacement	4485 cm <sup>3</sup> (274 in <sup>3</sup> )	4485 cm <sup>3</sup> (274 in <sup>3</sup> )
Emission standard	Stage V	Stage V
Exhaust gas treatment	DOC+SCRoF (with AdBlue)	DOC+SCRoF (with AdBlue)

HYDRAULIC SYSTEM		
Vehicle model	AGRI PLUS 42.7 VS EVO2 - GD	AGRI PLUS 40.10 VS EVO2 - GD
Hydraulic pump type	Piston pump with variable flow rate for power steering and movements. Gear pumps for Fan Drive with fan reversal.	Piston pump with variable flow rate for power steering and movements. Gear pumps for Fan Drive with fan reversal.
Hydraulic pump capacity	224 l/min (59,2 gal/min)	224 l/min (59,2 gal/min)
Max. operating pressure	26 MPa (3771 psi)	26 MPa (3771 psi)
Distributor control	4 in 1 proportional electrical Joystick with FNR	4 in 1 proportional electrical Joystick with FNR



TRANSMISSION		
Vehicle model	AGRI PLUS 42.7 VS EVO2 - GD	AGRI PLUS 40.10 VS EVO2 - GD
Transmission type	Hydrostatic Vario System EVO2 electronically controlled with 2 hydrostatic motors with continuous automatic adjustment	Hydrostatic Vario System EVO2 electronically controlled with 2 hydrostatic motors with continuous automatic adjustment
Drive mode	Automotive, Eco, Loader, Creeper	Automotive, Eco, Loader, Creeper

DIMENSIONS		
Vehicle model	AGRI PLUS 42.7 VS EVO2 - GD	AGRI PLUS 40.10 VS EVO2 - GD
A	400 mm (15,7 in)	400 mm (15,7 in)
C	2850 mm (112,2 in)	2850 mm (112,2 in)
D	975 mm (38,4 in)	975 mm (38,4 in)
E1	2670 mm (105,1 in)	2670 mm (105,1 in)
F	4456 mm (175,4 in)	4456 mm (175,4 in)
G	5109 mm (201,1 in)	5133 mm (202,1 in)
H	2450 mm (96,5 in)	2450 mm (96,5 in)
I	960 mm (37,8 in)	960 mm (37,8 in)
K01	34 °	34 °
K03	9 °	9 °
K06	144 °	144 °
K07	16 °	16 °
K08	130 °	130 °
L	1820 mm (71,7 in)	1820 mm (71,7 in)
M	2290 mm (90,2 in)	2290 mm (90,2 in)
O1	6309 mm (248,4 in)	6333 mm (249,3 in)
P	1107 mm (43,6 in)	1107 mm (43,6 in)
P1	45 mm (1,8 in)	45 mm (1,8 in)
Q	3753 mm (147,8 in)	3753 mm (147,8 in)
Q1	1200 mm (47,2 in)	1200 mm (47,2 in)
R1	1100 mm (43,3 in)	1100 mm (43,3 in)
S1	120 mm (4,7 in)	120 mm (4,7 in)
T1	4813 mm (189,5 in)	4834 mm (190,3 in)
U1	3706 mm (145,9 in)	3721 mm (146,5 in)
V1	8727 mm (343,6 in)	8755 mm (344,7 in)





# DIECI SERVICE

General headquarters in Emilia Romagna - over 135,000 square meters and about 400 people employed - and 3 branches in Germany, United Kingdom, France: Dieci is present in over 70 Countries with **an extensive network of over 400 dealers** and authorized service centers.

**Dieci Service**, our global technical assistance service, is developed on this basis: our customers are assisted directly by specialized technicians and every request is satisfied in a very short time. Dieci Service, **within a few hours, can provide interventions and spare parts all over the world.**

Visit [www.dieci.com](http://www.dieci.com) to find the dealer closest to you.

400 DEALERS

70 COUNTRIES

3 BRANCHES



# AGRI PLUS

42.7 | 40.10

INVICTO

**DIECI**

[www.dieci.com](http://www.dieci.com)



Ph: masterservicelorenz.it