

# AGRI FARMER

30.7 | 30.9 | 34.7 | 32.9



**DIECI**



## CONTINUOUS EVOLUTION

Constantly ahead in terms of technological solutions, Dieci continues the evolutionary process of its vehicles, raising the standards with the **New Agriculture Range**.

**Reliability, efficiency and comfort** have reached unprecedented levels through improved design and instrumentation and the introduction of **patented, futuristic innovations**.

New **Stage V** engines on the whole range, **360° suspended cab** and **new interior, more intuitive and functional diagnostics and controls, new chassis and new transmissions**, bring tomorrow's agricultural telehandlers into the field today.

**AGRI FARMER**, the most agile among the vehicles of the Dieci agricultural range, has been redesigned on a human scale: with the futuristic cab signed by Giugiaro Design and important interventions on comfort and performance. We have provided farmers with a **top-quality telehandler**.

# AGRI FARMER

NEW MODELS 30.7 | 30.9 34.7 | 32.9

## THE RIGHT SIZE

The Agri Farmer family now offers **new sizes**.

According to the requirement, the most **appropriate size** of vehicle can be selected for the specific job.

The different models are available in **different widths and heights**, while maintaining the same agility and efficiency.



30.7 34.7  
30.9 32.9

2 m  
2,1 m

2 m  
2,2 m

**30.7** AGRI FARMER

- ↑ Max height 6,35 m
- 📦 Capacity 3 t

**30.9** AGRI FARMER

- ↑ Max height 8,7 m
- 📦 Capacity 3 t

**34.7** AGRI FARMER

- ↑ Max height 6,35 m
- 📦 Capacity 3,4 t

**32.9** AGRI FARMER

- ↑ Max height 8,7 m
- 📦 Capacity 3,2 t



# SUSPENDED CAB

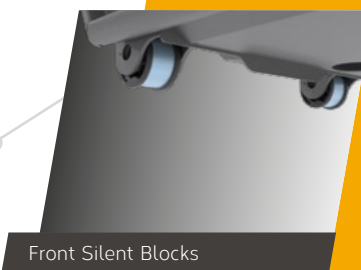


EXCLUSIVE DIECI

## ZERO SHOCK SYSTEM

**Cab shock-absorbing system**, unique in the telehandler sector, capable of effectively dampening the most annoying oscillations on the roughest terrain.

The **hydraulic suspension of the cab** effectively reduces oscillations and offers a high driving comfort through **4 supports that absorb impacts and jolts in every direction**: lateral, vertical, rear and front.



Front Silent Blocks



Rear hydraulic shock absorbers





# TOTAL COMFORT

## MORE VALUE

- Cab by Giugiaro Design
- Refined soft-touch interiors, derived from the automotive industry

## MORE LEGROOM

- Best-in-class ergonomics and accessibility
- More space for the operator's legs

## MORE COMFORT

- Adjustable steering column and armrest
- Heated seat, 3 suspension system options
- Soundproofing roof, dashboard and mat

## MORE VISIBILITY

- Large windows
- Integrated LED worklights - Headlights on the perimeter, on the boom and on the boom head
- Up to 3 wireless cameras - 7" color graphic display

## BETTER CLIMATE CONTROL

- Optimized air flows: 6 vents available
- Rear glass and openable roof
- Integrated electric lateral window
- Quick demisting of the windows
- Air conditioning with double air filter
- Operator protected against dust and odors



# ROBUST RELIABILITY

- Reinforced High-Strength Steel boom with increased swinging force, extension cylinder movement damped on retraction
- Stronger, more robust and more stable chassis
- Double-cylinder, double-action hydraulic accessories lock for maximum stability





## SINGLE CONTROL

- **Travel direction** and **boom** are controlled exclusively by the **single-lever CAN-bus joystick**, which also incorporates the direction selector (reverse shuttle - FNR) for **intuitive** and comfortable **control**.
- All vehicle control functions are handled by a **single control unit** that measures the best working parameters through an advanced diagnostic system.
- **Load Sensing - Flow Sharing** distributors: these two hydraulic technologies ensure more simultaneous movements and greater response to controls, for more effective work.

# HYDROSTATIC TRANSMISSION WITH ELECTRONIC CONTROL 2-SPEED

## EFFICIENCY GUARANTEED OVER TIME

**MORE POWERFUL**

**EASIER**

**MORE RELIABLE**

**MORE SAVINGS**

- **Electronic control:** maximum forward travel precision even at full speed
- 1st gear at 19 km/h
- Maximum speed 40 km/h







## STAGE V: FAST, ACCURATE AND ECOLOGICAL

Always attentive to environmental issues, Dieci has made a great effort to update the engines of the New Agriculture Range to **Stage V** regulations, implementing the DOC and SCR systems and the DPF filter to limit atmospheric emissions.

All this without reducing **power, reliability and high performance**: this is the spirit of the new engine that drives all the models of the AGRI FARMER family. A cutting-edge engine with a fully electronic control, to optimize **power output and efficiency**.

### HIGH PERFORMANCE

- A torque of 379 Nm at only 1500 rpm

### ELECTRONIC EVOLUTION

- Complete electronic control: optimized output and efficiency

### LONG AUTONOMY

- New top-of-range tank: 100 liters of fuel

### MINIMUM EMISSIONS

- **StageV** system
- DOC+SCR catalysts
- DPF
- 20 liter Urea tank

# ADVANCED TECHNOLOGY

## NEW AUTOMATIC COUPLING SYSTEM

- Tools recognition without manual operations: easier, maximum safety
- Immediate vehicle setting for different uses

## GEAR PUMP

- Boom readiness and reactivity
- Precise and fast movements, even at high power



## DTS

The **Dieci Telematic System** is the innovative telematic system that allows to interact with the vehicle remotely to geolocate it, monitor its operating parameters, measure its performance and limit its use.

By installing a high-tech control unit, the customer and the manufacturer can **connect to the vehicle in real time** from a computer or any mobile device and, through the **GSM and GPS networks**, discover where, if and how the machine is working, and **detect operating anomalies**, if any.

The operating data, collected via cloud, enable full **monitoring and diagnostics**. The support team and user can analyze the parameters directly, identify shortfalls in performance, and improve functionality or identify any maintenance operations required, thereby **optimizing costs** and ensuring **the vehicle and fleet are maintained in peak efficiency**.

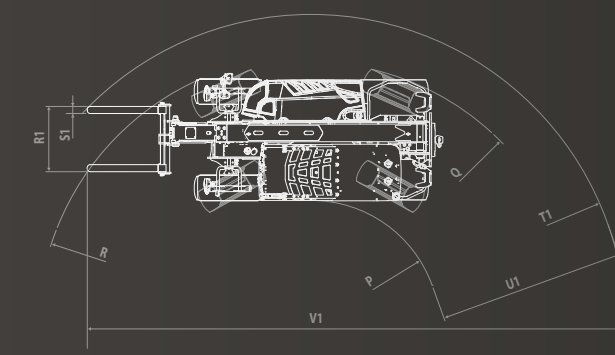
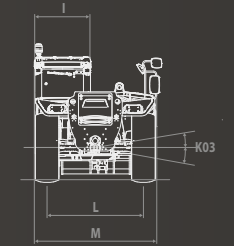
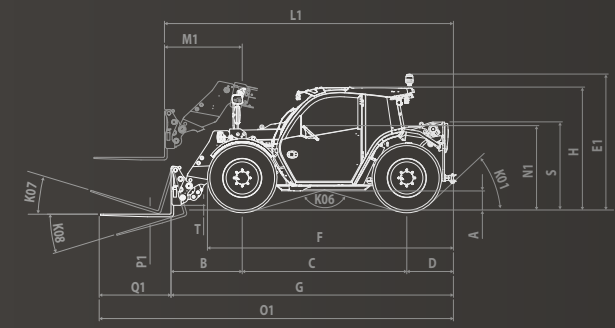
The machine and its operators benefit from **active protection against theft and accident**: a notification is sent immediately if the vehicle leaves the predefined area. By setting a safe operating track, the operator is immediately alerted to any risk of impact or anomaly.

# TECHNICAL DATA

PERFORMANCE				
Vehicle model	AGRI FARMER 30.7 - GD	AGRI FARMER 34.7 - GD	AGRI FARMER 30.9 - GD	AGRI FARMER 32.9 - GD
Maximum capacity	3000 kg (6614 lb)	3400 kg (7496 lb)	3000 kg (6614 lb)	3200 kg (7055 lb)
Maximum lifting height on wheels	6,35 m (20,8 ft)	6,35 m (20,8 ft)	8,7 m (28,5 ft)	8,7 m (28,5 ft)
Unladen weight	6700 kg (14771 lb)	7150 kg (15763 lb)	6880 kg (15168 lb)	7330 kg (16160 lb)
Max speed (referred to wheels with maximum permitted diameter)	40 km/h (24,9 mph)	40 km/h (24,9 mph)	40 km/h (24,9 mph)	40 km/h (24,9 mph)

ENGINE				
Vehicle model	AGRI FARMER 30.7 - GD	AGRI FARMER 34.7 - GD	AGRI FARMER 30.9 - GD	AGRI FARMER 32.9 - GD
Brand	Kubota	Kubota	Kubota	Kubota
Nominal power	79,5 kW (107 HP)	79,5 kW (107 HP)	79,5 kW (107 HP)	79,5 kW (107 HP)
@rpm	2200 rpm	2200 rpm	2200 rpm	2200 rpm
Displacement	3769 cm <sup>3</sup> (230 in <sup>3</sup> )	3769 cm <sup>3</sup> (230 in <sup>3</sup> )	3769 cm <sup>3</sup> (230 in <sup>3</sup> )	3769 cm <sup>3</sup> (230 in <sup>3</sup> )
Emission standard	Stage V/Tier 4f	Stage V/Tier 4f	Stage V/Tier 4f	Stage V/Tier 4f
Exhaust gas treatment	DOC+DPF+SCR	DOC+DPF+SCR	DOC+DPF+SCR	DOC+DPF+SCR

HYDRAULIC SYSTEM				
Vehicle model	AGRI FARMER 30.7 - GD	AGRI FARMER 34.7 - GD	AGRI FARMER 30.9 - GD	AGRI FARMER 32.9 - GD
Hydraulic pump type	Gear pump for power steering and movements	Gear pump for power steering and movements	Gear pump for power steering and movements	Gear pump for power steering and movements
Hydraulic pump capacity	100 L/min (26,4 gal/min)	100 L/min (26,4 gal/min)	100 L/min (26,4 gal/min)	100 L/min (26,4 gal/min)
Max. operating pressure	24,5 MPa (3553 psi)	25,7 MPa (3727 psi)	24,5 MPa (3553 psi)	25,7 MPa (3727 psi)
Distributor control	4 in 1 proportional Joystick with FNR	4 in 1 proportional Joystick with FNR	4 in 1 proportional Joystick with FNR	4 in 1 proportional Joystick with FNR



TRANSMISSION				
Vehicle model	AGRI FARMER 30.7 - GD	AGRI FARMER 34.7 - GD	AGRI FARMER 30.9 - GD	AGRI FARMER 32.9 - GD
Hydraulic pump type	Gear pump for power steering and movements	Gear pump for power steering and movements	Gear pump for power steering and movements	Gear pump for power steering and movements
Hydraulic pump capacity	100 L/min (26,4 gal/min)	100 L/min (26,4 gal/min)	100 L/min (26,4 gal/min)	100 L/min (26,4 gal/min)
Max. operating pressure	24,5 MPa (3553 psi)	25,7 MPa (3727 psi)	24,5 MPa (3553 psi)	25,7 MPa (3727 psi)
Distributor control	4 in 1 proportional Joystick with FNR	4 in 1 proportional Joystick with FNR	4 in 1 proportional Joystick with FNR	4 in 1 proportional Joystick with FNR

DIMENSIONS				
Vehicle model	AGRI FARMER 30.7 - GD	AGRI FARMER 34.7 - GD	AGRI FARMER 30.9 - GD	AGRI FARMER 32.9 - GD
A	270 mm (10,6 in)	270 mm (10,6 in)	270 mm (10,6 in)	270 mm (10,6 in)
B	1200 mm (47,2 in)	1200 mm (47,2 in)	1240 mm (48,8 in)	1240 mm (48,8 in)
C	2830 mm (111,4 in)	2830 mm (111,4 in)	2830 mm (111,4 in)	2830 mm (111,4 in)
D	785 mm (30,9 in)	785 mm (30,9 in)	785 mm (30,9 in)	785 mm (30,9 in)
E1	2350 mm (92,5 in)	2520 mm (99,2 in)	2350 mm (92,5 in)	2520 mm (99,2 in)
F	4207 mm (165,6 in)	4207 mm (165,6 in)	4207 mm (165,6 in)	4207 mm (165,6 in)
G	4815 mm (189,6 in)	4815 mm (189,6 in)	4855 mm (191,1 in)	4855 mm (191,1 in)
H	2040 mm (80,3 in)	2210 mm (87,0 in)	2040 mm (80,3 in)	2210 mm (87,0 in)
I	966 mm (38,0 in)	966 mm (38,0 in)	966 mm (38,0 in)	966 mm (38,0 in)
K01	42 °	42 °	42 °	42 °
K03	15 °	16 °	15 °	16 °
K06	149 °	149 °	149 °	149 °
K07	18 °	18 °	18 °	18 °
K08	129 °	124 °	129 °	124 °
L	1650 mm (65,0 in)	1710 mm (67,3 in)	1650 mm (65,0 in)	1710 mm (67,3 in)
L1	4940 mm (194,5 in)	4940 mm (194,5 in)	4960 mm (195,3 in)	4960 mm (195,3 in)
M	2075 mm (81,7 in)	2120 mm (83,5 in)	2075 mm (81,7 in)	2120 mm (83,5 in)
M1	1324 mm (52,1 in)	1324 mm (52,1 in)	1344 mm (52,9 in)	1344 mm (52,9 in)
N1	1385 mm (54,5 in)	1555 mm (61,2 in)	1385 mm (54,5 in)	1555 mm (61,2 in)
O1	6015 mm (236,8 in)	6015 mm (236,8 in)	6055 mm (238,4 in)	6055 mm (238,4 in)
P	1967 mm (77,4 in)	1345 mm (53,0 in)	1967 mm (77,4 in)	1345 mm (53,0 in)
P1	45 mm (1,8 in)	45 mm (1,8 in)	45 mm (1,8 in)	45 mm (1,8 in)
Q	4482 mm (176,5 in)	3800 mm (149,6 in)	4482 mm (176,5 in)	3800 mm (149,6 in)
Q1	1200 mm (47,2 in)	1200 mm (47,2 in)	1200 mm (47,2 in)	1200 mm (47,2 in)
R	4461 mm (175,6 in)	3940 mm (155,1 in)	4461 mm (175,6 in)	3940 mm (155,1 in)
R1	1100 mm (43,3 in)	1100 mm (43,3 in)	1100 mm (43,3 in)	1100 mm (43,3 in)
S	1445 mm (56,9 in)	1445 mm (56,9 in)	1445 mm (56,9 in)	1445 mm (56,9 in)
S1	120 mm (4,7 in)	120 mm (4,7 in)	120 mm (4,7 in)	120 mm (4,7 in)
T	30 mm (1,2 in)	30 mm (1,2 in)	115 mm (4,5 in)	115 mm (4,5 in)
T1	5200 mm (204,7 in)	4800 mm (189,0 in)	5228 mm (205,8 in)	4825 mm (190,0 in)
U1	3233 mm (127,3 in)	3455 mm (136,0 in)	3267 mm (128,6 in)	3480 mm (137,0 in)
V1	9018 mm (355,0 in)	8615 mm (339,2 in)	9085 mm (357,7 in)	8680 mm (341,7 in)

# DIECI SERVICE

General headquarters in Emilia Romagna - over 135,000 square meters and about 400 people employed - and 3 branches in Germany, United Kingdom, France: Dieci is present in over 70 Countries with **an extensive network of over 400 dealers** and authorized service centers.

**Dieci Service**, our global technical assistance service, is developed on this basis: our customers are assisted directly by specialized technicians and every request is satisfied in a very short time. Dieci Service, **within a few hours, can provide interventions and spare parts all over the world.**

Visit [www.dieci.com](http://www.dieci.com) to find the dealer closest to you.

400 DEALERS

70 COUNTRIES

3 BRANCHES

# AGRI FARMER

30.7 | 30.9 | 34.7 | 32.9

INVICTO

**DIECI**

[www.dieci.com](http://www.dieci.com)



Ph: masterservicelorenz.it